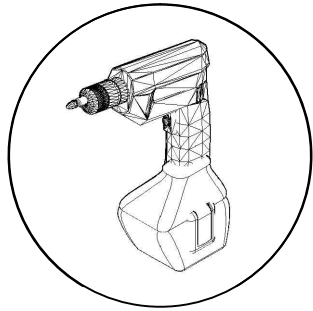
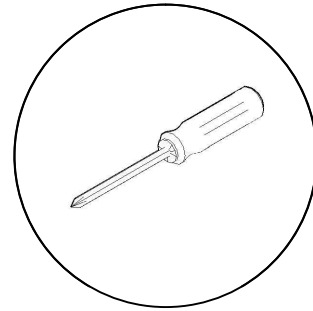


# MANUFACTURER'S TIPS

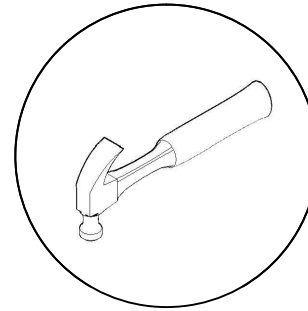
## NECESSARY TOOLS:



ELECTRIC SCREWDRIVER

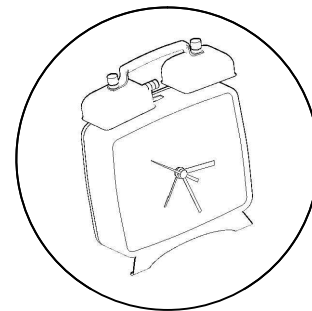


MANUAL SCREWDRIVER



HAMMER

## ASSEMBLY TIME:



30 MINUTES

## ASSEMBLY TIPS:

- A** - SEPARATE AND IDENTIFY THE PARTS AS PER THE ASSEMBLY INSTRUCTIONS. .
- B** - IF THE UNIT IS TO BE ASSEMBLED LYING DOWN, DO SO WITH IT FACING UPWARDS, RESTING ON THE CARDBOARD. TURN THE UNIT AROUND TO INSTALL THE BACK BOARD.
- C** - REMEMBER, IF THE BACK BOARD IS NOT INSTALLED CORRECTLY, THE UNIT WILL NOT ALIGN PROPERLY.
- D** - FOR A BETTER FINISH, DON'T FORGET TO PUT THE LIDS ON THE SCREWS.

## PRODUCT CARE:

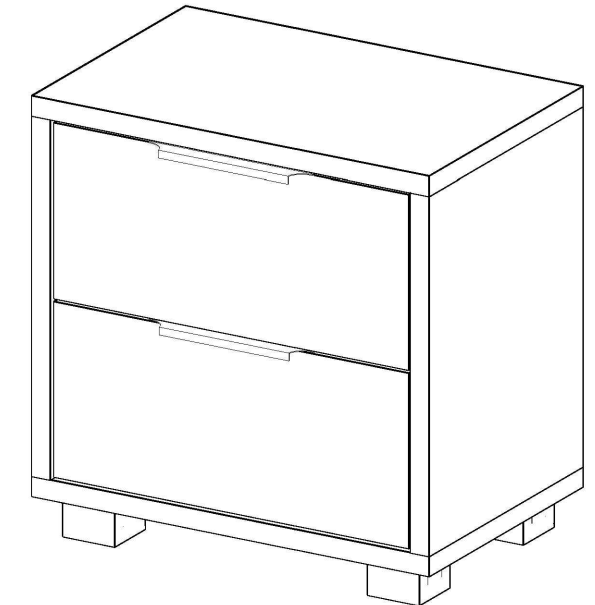
- A** - USE A SLIGHTLY DAMPENED CLOTH TO CLEAN THE UNIT.
- B** - AVOID LEAVING THE UNIT IN THE SUN, AS THIS WILL WEAR OUT THE PAINTWORK.
- C** - DON'T LET THE UNIT COME INTO CONTACT WITH WATER.

ATTENTION: FOLLOW THESE ASSEMBLY INSTRUCTIONS CAREFULLY

## NIGHTSTAND VISAGE - 2 DRAWER - VS902A - ONIX / TERRACOTA

Dimensions: Height: 0.54 - Width: 0.54 - Depth: 0.36

	Fittings	Qty	Code
A	FLAT HEAD SCREW 4 X 40	04	255
B	FLAT SCREW 3.5 X 14	20	252
C	FLAT HEAD SCREW 5.5X50	08	471
D	HOLE COVER STICKER ONIX	08	16325
E	PEG 8 X 30	08	266
F	PEG 6 X 30	04	372
G	MINIFIX PIN	12	2773
H	MINIFIX CAM	12	2774
I	TUBE OF GLUE	01	2783
J	NAIL 10 X 10	40	263
K	STYLE CURVE	02	15438
L	PLASTIC SOCKET	04	37549
M	NAIL 13 X 15	08	264
N	METALIC SLIDE 300MM	02	2930
O	H PROFILE 505MM GREY	01	4935

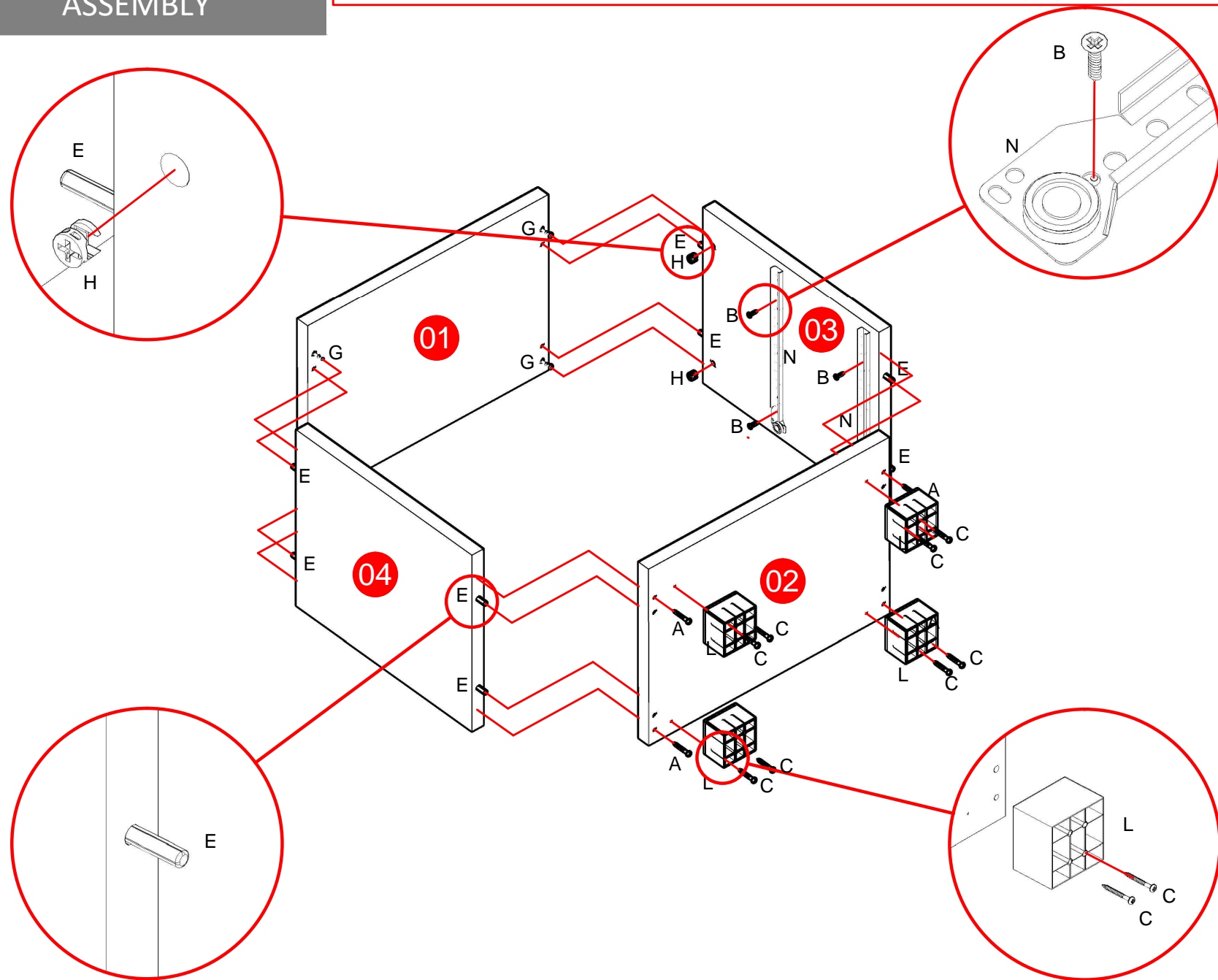


Part	Code	Description	Qty.	Dimension parts :
01	37533	Tophead onix	01	540X355X25 mm
02	37548	Backboard onix	01	540X355X25 mm
03	37536	Left sideboard onix	01	450X355X25 mm
04	37535	Right sideboard onix	01	450X355X25 mm
05	37546	Draw terracota	02	482X218X15 mm
06	37538	onix draw sideboard	04	300X145X15 mm
07	37539	onix draw rearboard	02	434X97X15 mm
08	37540	Draw bottom stylized Primavera	02	464X305X03 mm
09	37541	Bottomboard stylized Primavera	02	530X242X03 mm
10	37547	Set of fittings		

ATTENTION: FOLLOW THESE ASSEMBLY INSTRUCTIONS CAREFULLY

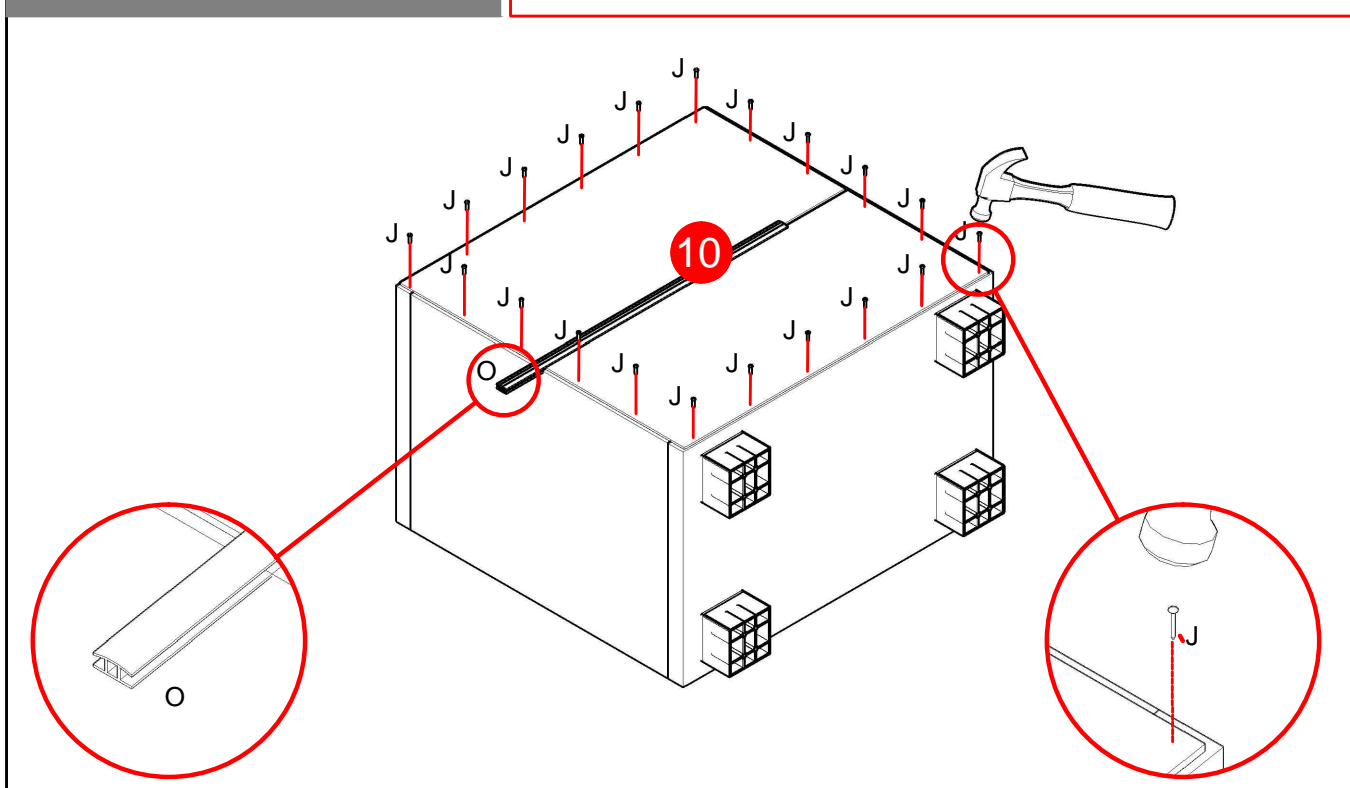
## STAGE 1 ASSEMBLY

**FITTINGS:** FOR EASE AND SPEED, INSERT THE CORRESPONDING FITTINGS INTO THE SIDES (03 AND 04). AS THE DRAWING BELOW.

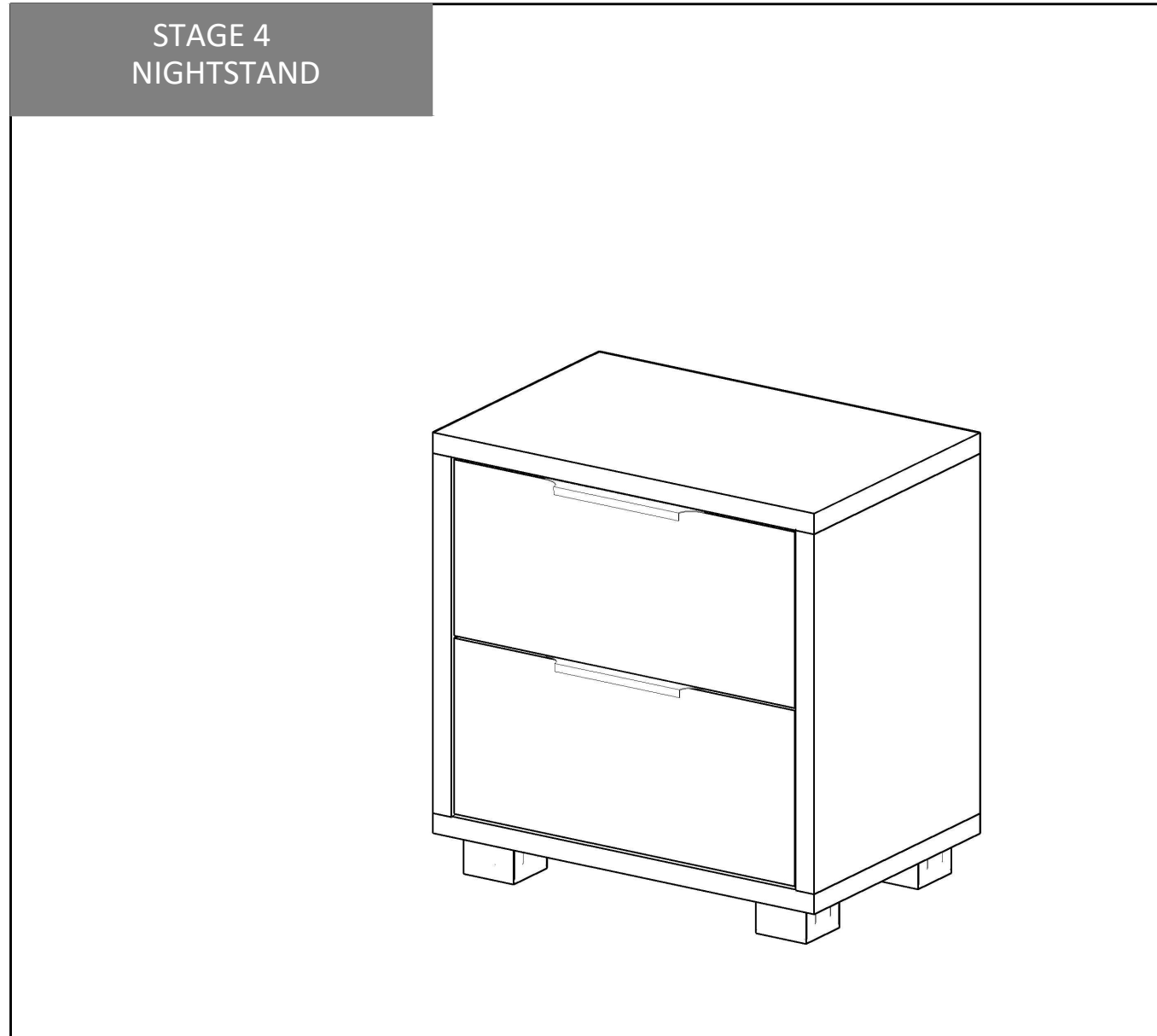


## STAGE 3 NAILING IN THE BACKBOARD

**REMEMBER:** IF THE BACK BOARD IS NOT INSTALLED CORRECTLY, THE UNIT WILL NOT ALIGN PROPERLY. **IMPORTANT:** PLACE THE 10X10 NAILS (J) AT A DISTANCE OF EVERY 10 CM.



## STAGE 4 NIGHTSTAND



## STAGE 2 DRAWERS

**IMPORTANT:** POSITION THE METALIC SLIDE (N) WITH THE DRAW SIDEBOARD (06), ATTACHING IT WITH 3.5X14 SCREWS (B).

