

FITTINGS

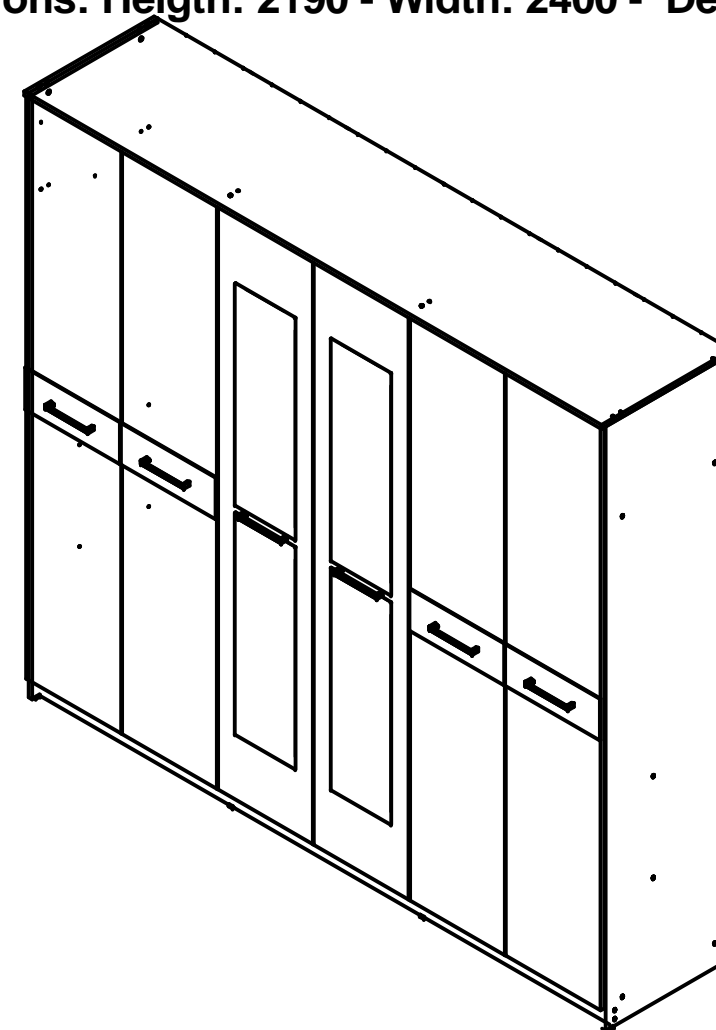
Cód	Image	Code	Description	Qty
A		6544	FLAT HEAD SCREW 3,5 x 40	50
B.1		1453	PEG 6 x 50	2
C		252	SCREW 3,5 x 14	114
C.3		257	20 x 15 FOOT SOCKET	8
D.20		10069	35MM HINGE	18
E.1		260	4 HOLE ANGLE BRACKET	4
F.1		372	PEG 6 x 30	20
H.2		6246	WEDGE 5MM	18
H.3		480	OBLONG CLOTHES RAIL SUPPORT	6
J		3966	FLAT HEAD SCREW 3,5 x 30	12
L.3		2775	15MM COVER CAP MINIFIX WHITE	8
M.2		39671	PROFILE H 2100MM	5
P.08		2009	160MM ALENO HANDLE	6
P.1		263	NAIL 10X10	180
Q.1		264	NAIL 13 x 15	8
R		2773	MINIFIX PIN	8
S		2774	MINIFIX CAM	8
W.3		12554	CLOTHES RAIL 772MM	3

ASSEMBLY TIPS

- A - SEPARATE AND IDENTIFY THE PARTS AS PER THE ASSEMBLY INSTRUCTIONS..
- B - IF THE UNIT IS TO BE ASSEMBLED LYING DOWN, DO SO WITH IT FACING UPWARDS, RESTING ON THE CARDBOARD. TURN THE UNIT AROUND TO INSTALL THE BACK BOARD.
- C - REMEMBER, IF THE BACK BOARD IS NOT INSTALLED CORRECTLY, THE UNIT WILL NOT ALIGN PROPERLY.
- D - FOR A BETTER FINISH, DON'T FORGET TO PUT THE LIDS ON THE SCREWS.

WARBROBE MOONLIGHT 06 DOORS MIRROR - VS6607ED - WHITE/NIAGARA

Dimensions: Height: 2190 - Width: 2400 - Depth: 540

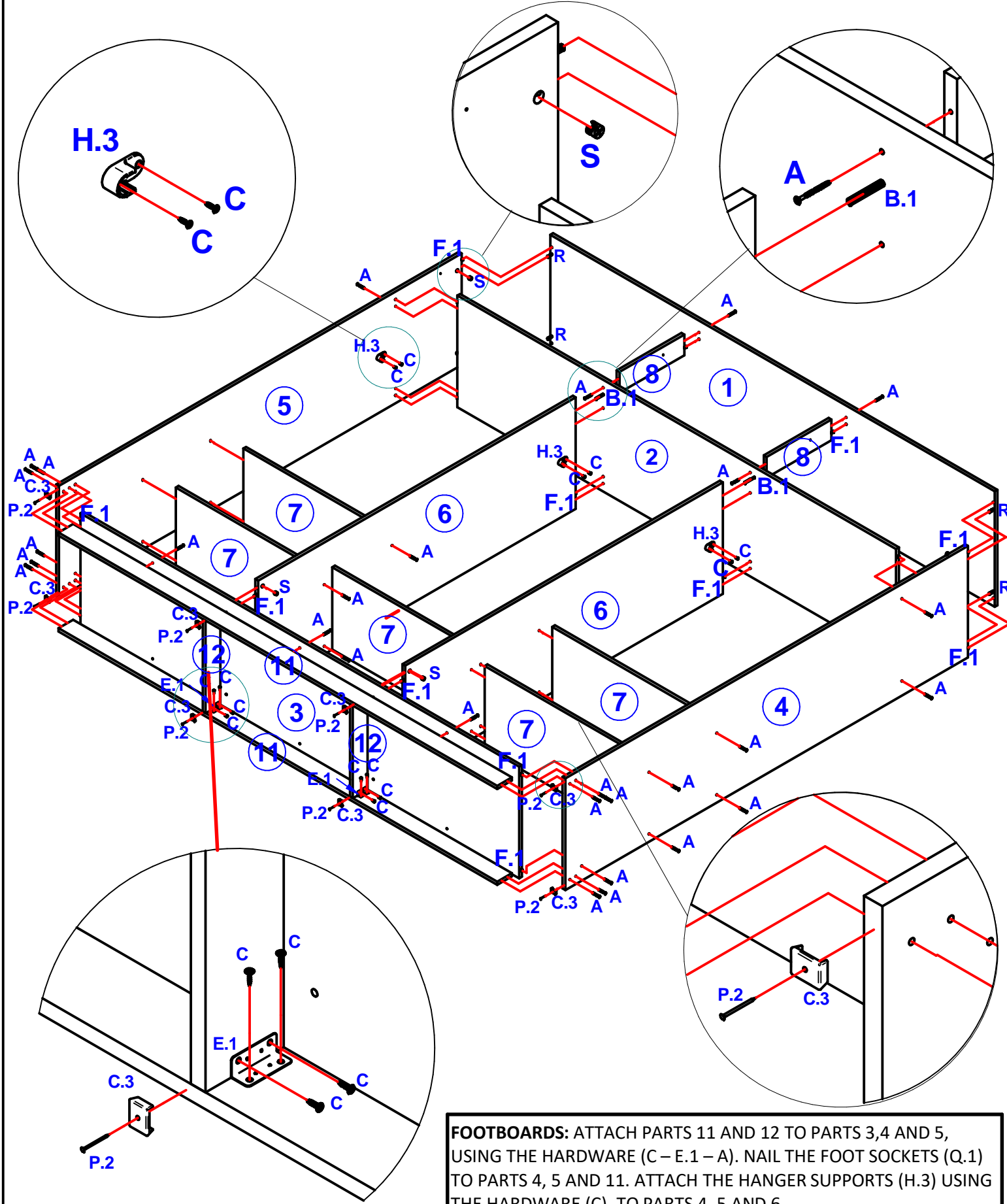


REF	CÓD	DESCRIPTION	QTY	DIMENSIONS
1	38929	UPPER TOP NIAGARA	1	2400x540x15
2	38934	CENTRAL SUPPORT WHITE	1	2370x522x15
3	38935	LOWER SUPPORT NIAGARA	1	2370x522x15
4	38932	RIGHT SIDEBOARD WHITE	1	2175x522x15
5	38933	LEFT SIDEBOARD WHITE	1	2175x522x15
6	38936	PARTING WHITE	2	1715x522x15
7	38940	SHELF WHITE	5	780x385x15
8	38939	INTERNAL PILLAR WHITE	2	350x97x15
9	38930	DOOR WHITE	6	2095x394x15
10	38931	DOOR FINISH WHITE	4	394x150x3
11	38937	FRONTAL/REAR BASEBOARD WHITE	2	2370x80x15
12	38938	CENTRAL REINFORCEMENT NO COLOR	2	433x80x15
13	38941	BACKBOARD CLOSET STYLIZED WHITE	6	2100x394x3
14	13292	MIRROR 800X250 (DUBAI)	4	800x250x3

ATTENTION: FOLLOW THESE ASSEMBLY INSTRUCTIONS CAREFULLY

STAGE 1 ASSEMBLY

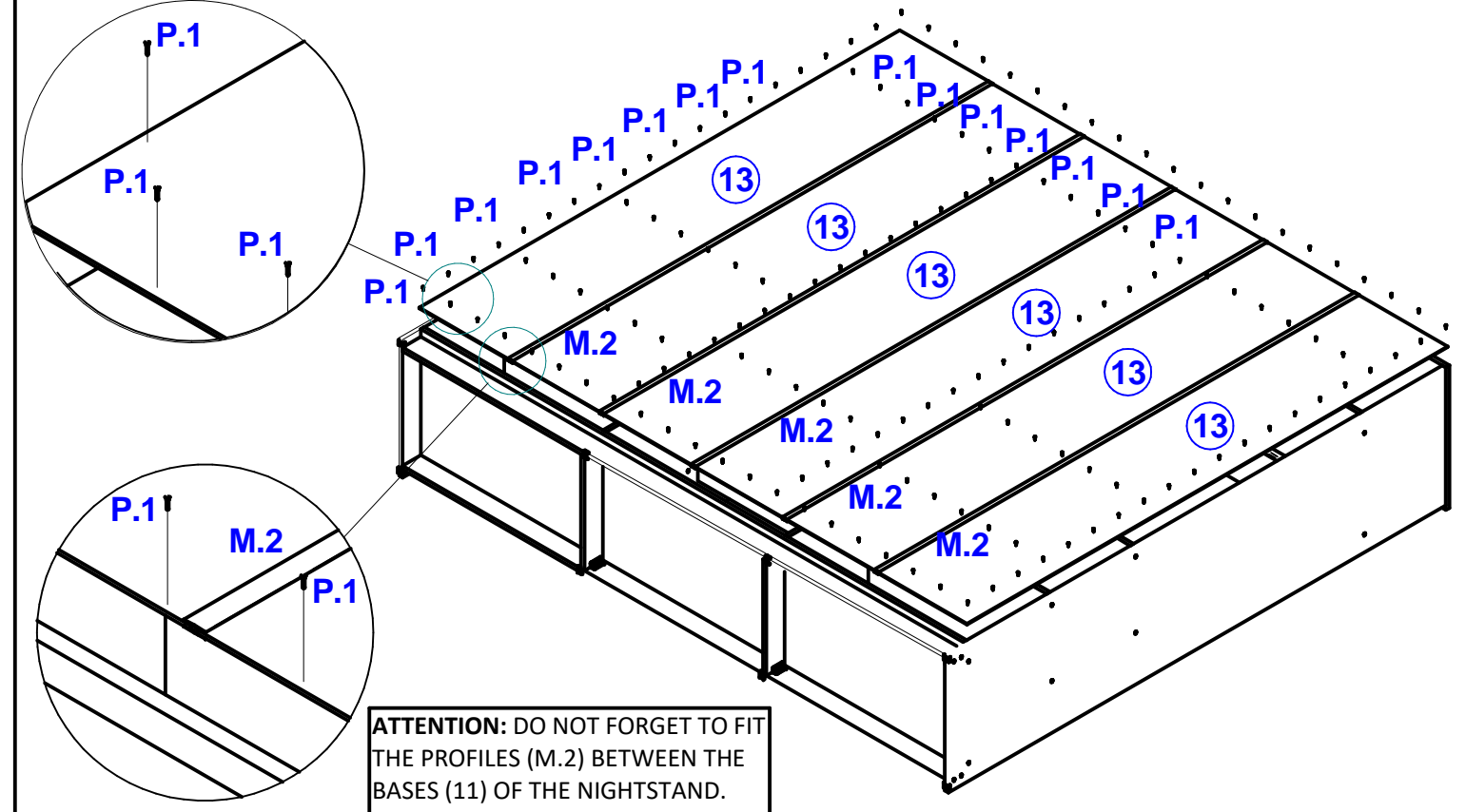
HARDWARE: SEPARATE AND IDENTIFY THE PARTS, AND INSERT THE HARDWARE. ATTACH PARTS 6 AND 8 TO PART 2 USING THE HARDWARE (A – B.1 – F.1). USING THE HARDWARE (R – F.1 – S), JOIN PARTS 1 AND 3 WITH PARTS 6 AND 8. TO ATTACH THE SHELVES (7), USE THE HARDWARE (A). FINALLY, ATTACH PARTS 11 AND 12 USING THE HARDWARE (A – F.1).



FOOTBOARDS: ATTACH PARTS 11 AND 12 TO PARTS 3,4 AND 5, USING THE HARDWARE (C – E.1 – A). NAIL THE FOOT SOCKETS (Q.1) TO PARTS 4, 5 AND 11. ATTACH THE HANGER SUPPORTS (H.3) USING THE HARDWARE (C), TO PARTS 4, 5 AND 6.

STAGE 2 BACKBOARDS

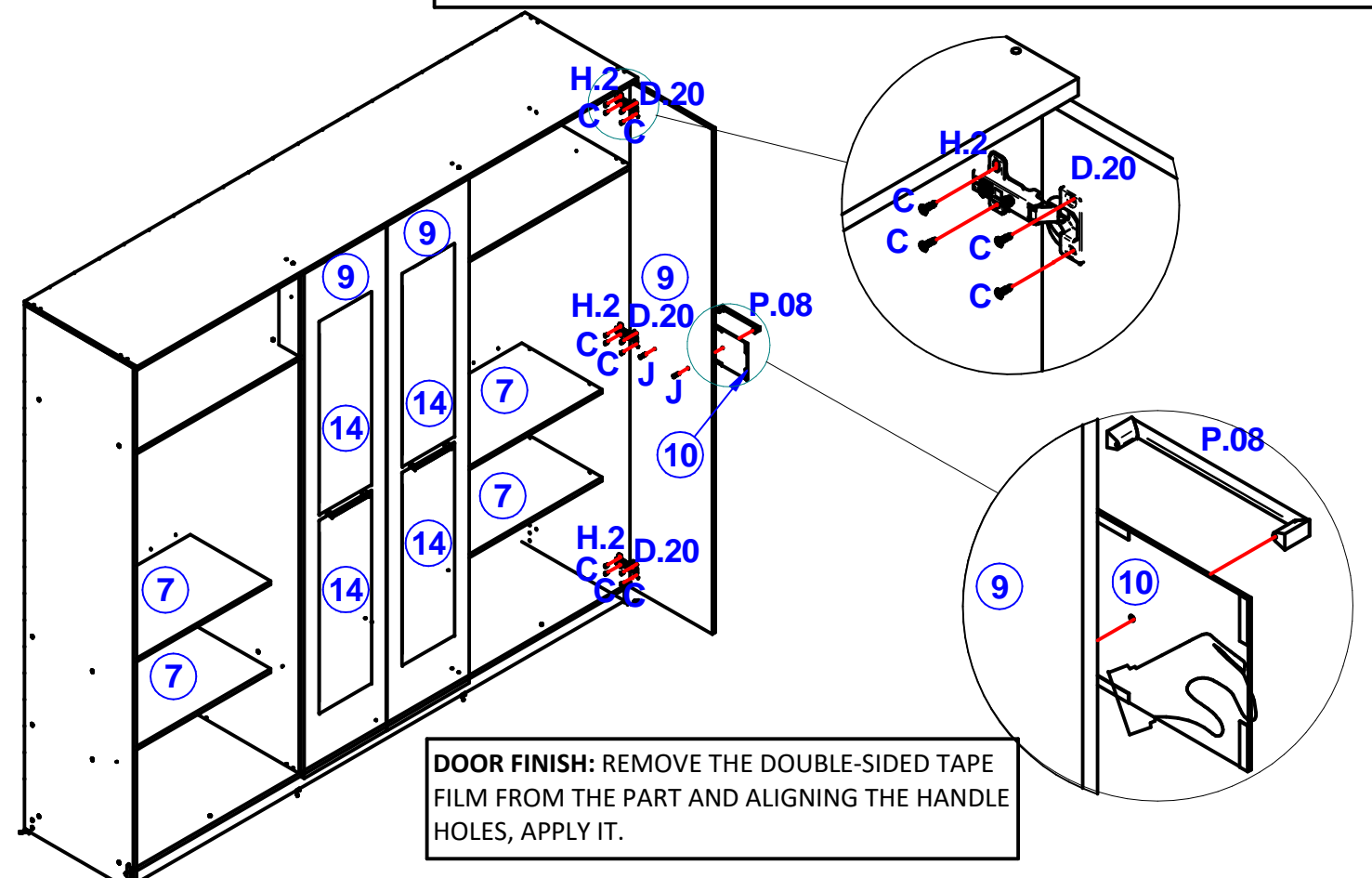
BACKBOARD: NAIL THE BACKBOARDS (13) WITH 10 X 10 NAILS (P.1) AT 10CM INTERVALS. PLACE THE BOARDS ONE AFTER THE OTHER. REMEMBER: IF THE BACKBOARDS ARE NOT INSTALLED CORRECTLY, THE UNIT WILL NOT ALIGN PROPERLY.



ATTENTION: DO NOT FORGET TO FIT THE PROFILES (M.2) BETWEEN THE BASES (11) OF THE NIGHTSTAND.

STAGE 3 DOORS

DOORS: ATTACH THE HARDWARE (D.20 AND H.2) TO THE DOORS (09) WITH SCREWS (C). NEXT, ATTACH THE DOORS TO THE WARDROBE WITH SCREWS (C), USING THE MARKINGS AS A GUIDE. FINALLY, ATTACH THE DOOR FINISH (10) AND THE HANDLES (P.08) WITH SCREWS (J). **MIRROR:** USE THE DOUBLE-SIDED TAPE TO ATTACH THE MIRROR TO THE WARDROBE'S MIDDLE DOOR.



DOOR FINISH: REMOVE THE DOUBLE-SIDED TAPE FILM FROM THE PART AND ALIGNING THE HANDLE HOLES, APPLY IT.