

## FITTINGS

Cód	Image	Code	Description	Qty
A		6544	FLAT HEAD SCREW 3,5 x 40	28
B.1		1453	PEG 6 x 50	1
C		252	SCREW 3,5 x 14	42
C.3		257	20 x 15 FOOT SOCKET	6
D.2		10069	35MM HINGE	9
E.1		260	4 HOLE ANGLE BRACKET	3
F.1		372	PEG 6 x 30	16
H.2		6246	WEDGE 5MM	9
H.3		480	OBLONG CLOTHES RAIL SUPPORT	2
J		3966	FLAT HEAD SCREW 3,5 x 30	6
J.3		1388	SHELF SUPPORT	12
P.1		263	NAIL 10X10	90
Q.1		264	NAIL 13 x 15	6
R		2773	MINIFIX PIN	6
S		2774	MINIFIX CAM	6
L.3		2775	15MM COVER CAP MINIFIX WHITE	6
P.08		2009	160MM ALENO HANDLE	3
M.2		39671	PROFILE H 2100MM	2
W.3		12554	CLOTHES RAIL	1

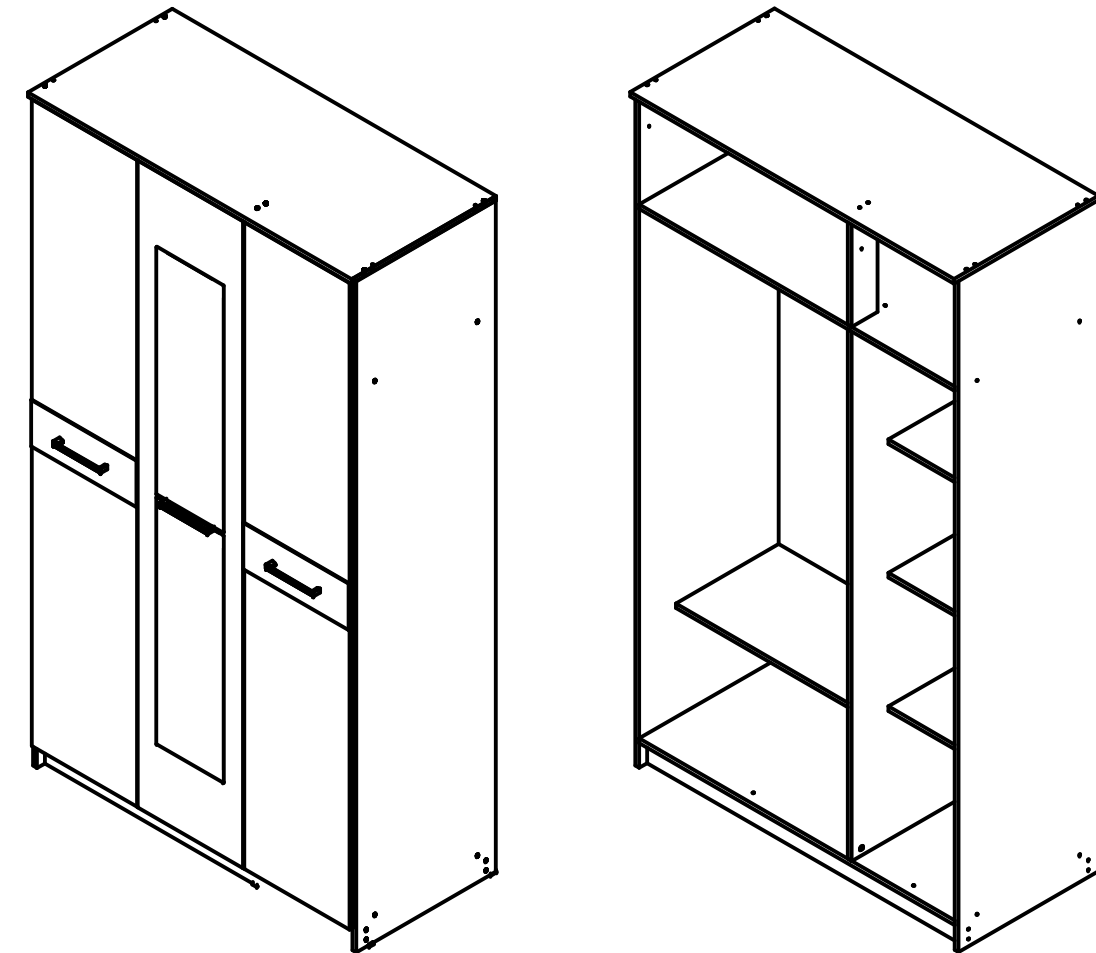
## ASSEMBLY TIPS

- A - SEPARATE AND IDENTIFY THE PARTS AS PER THE ASSEMBLY INSTRUCTIONS..
- B - IF THE UNIT IS TO BE ASSEMBLED LYING DOWN, DO SO WITH IT FACING UPWARDS, RESTING ON THE CARDBOARD. TURN THE UNIT AROUND TO INSTALL THE BACK BOARD.
- C - REMEMBER, IF THE BACK BOARD IS NOT INSTALLED CORRECTLY, THE UNIT WILL NOT ALIGN PROPERLY.
- D - FOR A BETTER FINISH, DON'T FORGET TO PUT THE LIDS ON THE SCREWS.

ATTENTION: FOLLOW THESE ASSEMBLY INSTRUCTIONS CAREFULLY

## WARDROBE MOONLIGHT TWIN 3 DOORS WITH MIRROR VS8307 - WHITE/NIAGARA

Dimensions: Height: 2190 - Width: 1210 - Depth: 540



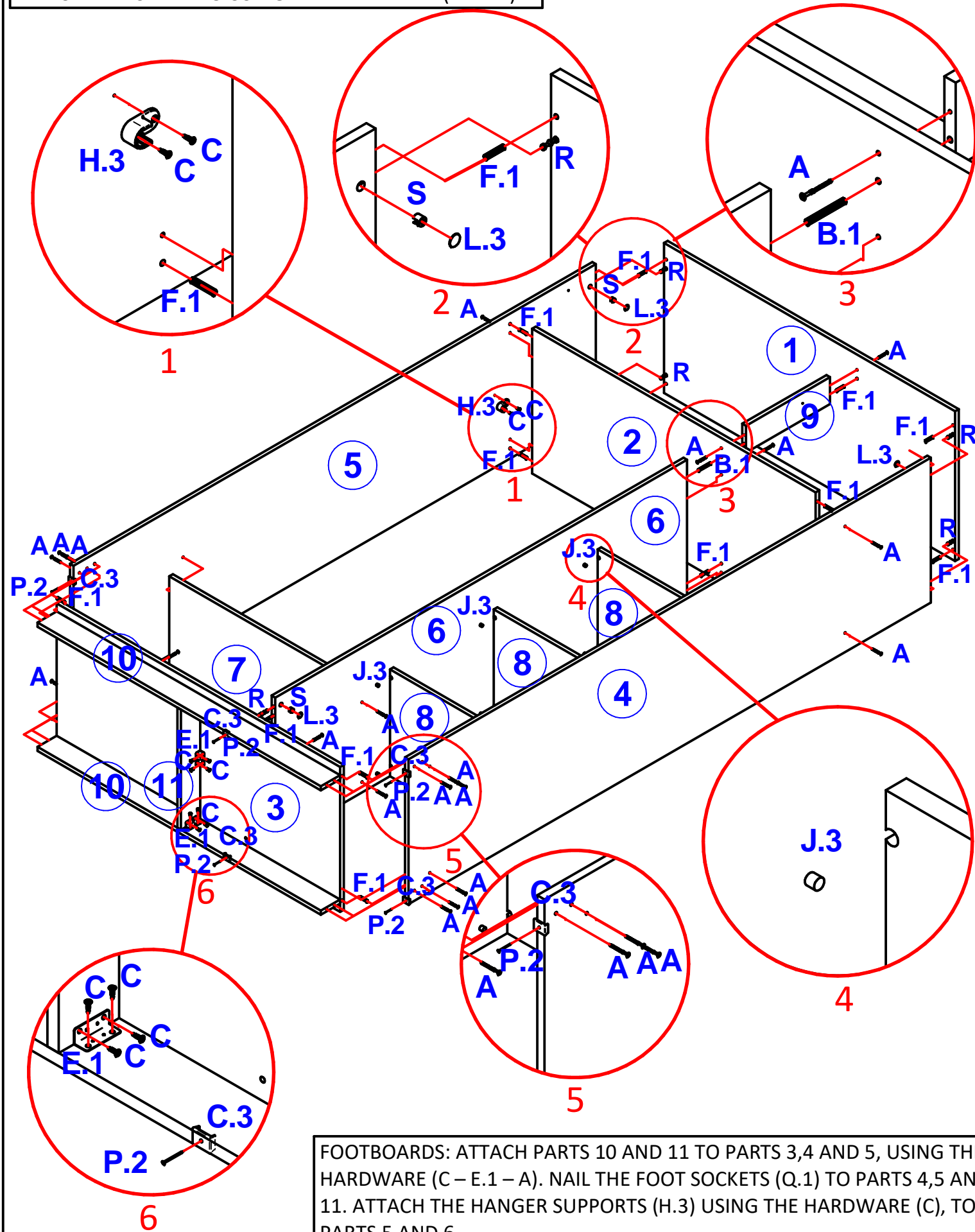
REF	CÓD	DESCRIPTION	QTY	DIMENSIONS
1	39115	UPPER TOP NIAGARA	1	1212x540x15
2	39117	CENTRAL SUPPORT NIAGARA	1	1180x522x15
3	39118	LOWER SUPPORT WHITE	1	1180x522x15
4	39127	RIGHT SIDEBOARD WHITE	1	2175x522x15
5	39126	LEFT SIDEBOARD WHITE	1	2175x522x15
6	39123	PARTING WHITE	1	1715x522x15
7	38940	SHELF WHITE	1	780x385x15
8	39122	SMALLER SHELF WHITE	3	385x385x15
9	38939	INTERNAL PILLAR WHITE	1	350x97x15
10	39119	FRONT/ REAR BASEBOARD WHITE	2	1180x80x15
11	38938	CENTRAL REINFORCEMENT NO COLOR	1	433x80x15
12	38930	DOOR WHITE	3	2095x394x15
13	38931	DOOR FINISH WHITE	2	394x150x3
14	38941	BACKBOARD CLOSET STYLIZED WHITE	3	2100x394x3
15	10758	MIRROR 800 X 250 (DUBAI)	2	800x250x3

ATTENTION: FOLLOW THESE ASSEMBLY INSTRUCTIONS CAREFULLY

### STAGE 1 ASSEMBLY

SEPARATE AND IDENTIFY THE PARTS, THEN INSERT THE HARDWARE IN THE PARTS. ATTACH PARTS 6 AND 9 TO PART 2 USING THE HARDWARE (A – B.1 – F.1). JOIN PARTS 1 AND 3 TO PARTS 6 AND 9.

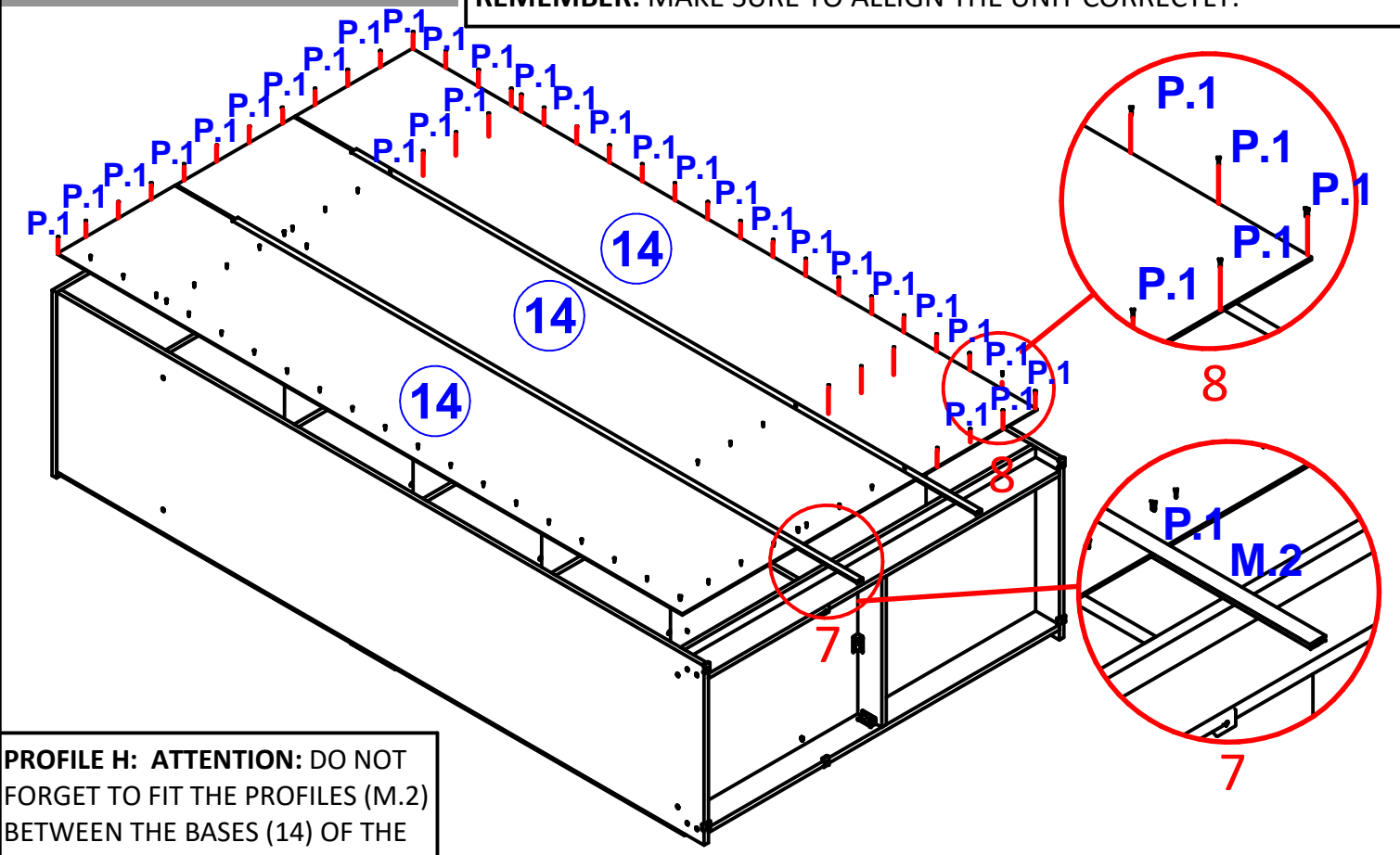
USING THE HARDWARE (R – F.1 – S – L.3). USE HARDWARE (A – J.3) FOR THE SHELVES (7 AND 8). FINALLY, ATTACH PARTS 4 AND 5 USING THE HARDWARE (A – F.1).



**FOOTBOARDS:** ATTACH PARTS 10 AND 11 TO PARTS 3,4 AND 5, USING THE HARDWARE (C – E.1 – A). NAIL THE FOOT SOCKETS (Q.1) TO PARTS 4,5 AND 11. ATTACH THE HANGER SUPPORTS (H.3) USING THE HARDWARE (C), TO PARTS 5 AND 6.

### STAGE 2 BACKBOARDS

**BASE:** NAIL THE BASE (14) WITH THE 10x10 NAILS (P.1) SET THE NAILS AT 10CM x 10CM INTERVALS.  
**REMEMBER:** MAKE SURE TO ALIGN THE UNIT CORRECTLY.

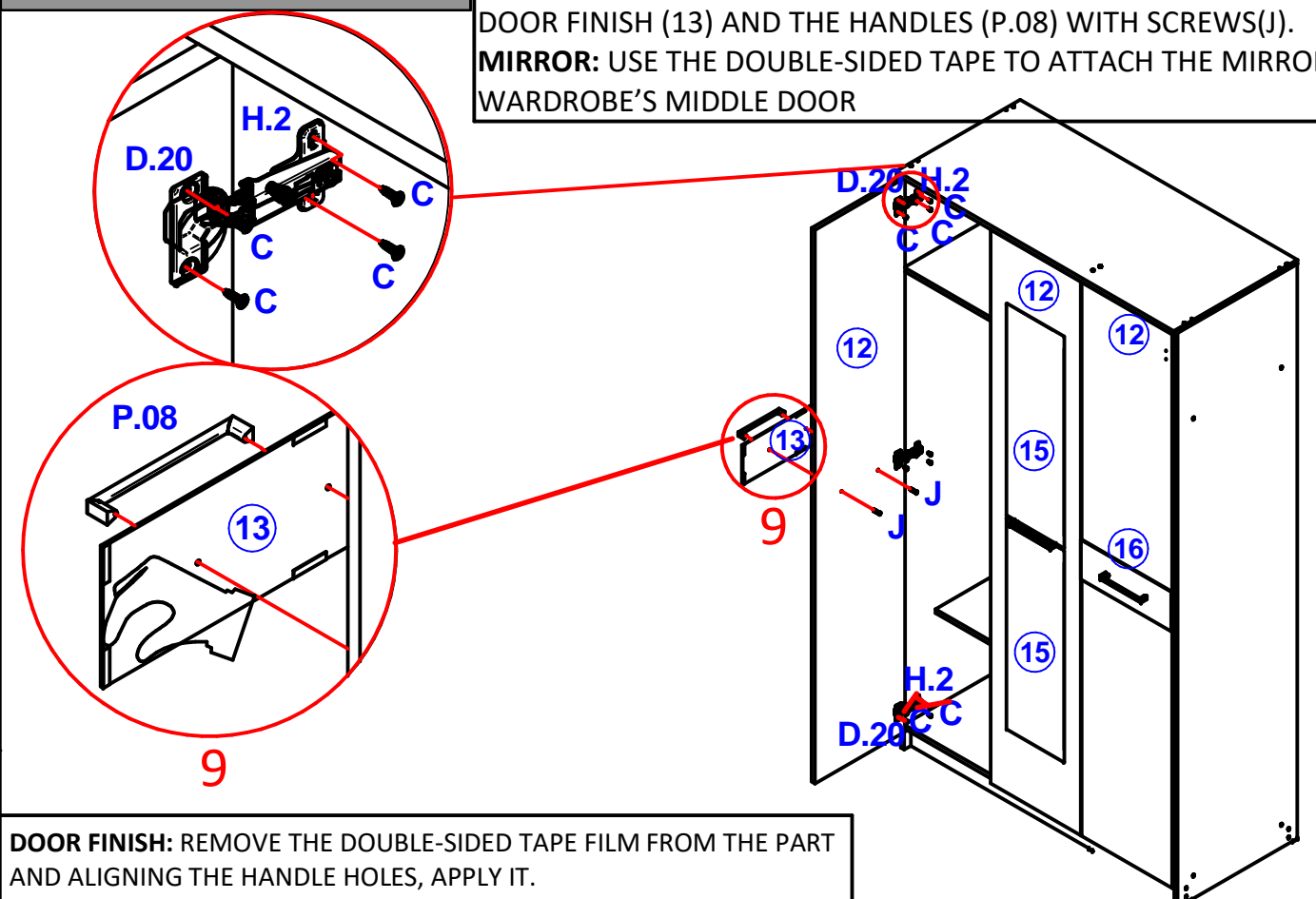


**PROFILE H:** ATTENTION: DO NOT FORGET TO FIT THE PROFILES (M.2) BETWEEN THE BASES (14) OF THE NIGHTSTAND.

### STAGE 3 DOORS

**DOORS:** TO ATTACH THE DOORS, ASSEMBLE THE HARDWARE (D.20 AND H.2) AND SCREW (C) IT ON THE DOORS. THE SCREW (C) THE DOORS ON TO THE WARDROBE, USE THE MARKINGS AS A GUIDE. FINALLY ATTACH THE DOOR FINISH (13) AND THE HANDLES (P.08) WITH SCREWS(J).

**MIRROR:** USE THE DOUBLE-SIDED TAPE TO ATTACH THE MIRROR TO THE WARDROBE'S MIDDLE DOOR



**DOOR FINISH:** REMOVE THE DOUBLE-SIDED TAPE FILM FROM THE PART AND ALIGNING THE HANDLE HOLES, APPLY IT.