

FITTINGS

Cód	Image	Code	Description	Qty
B		1387	PAN HEAD SCREW 4 x 40	6
C.1		266	PEG 8 x 30	4
CA.3		4007	ANGLE BRACKET 30 x 40	2
CA.4		39705	FRENCH HEAD SCREW 1/4 x 1'1/3	6
CA.5		39706	FRENCH HEAD SCREW 1/4 x 1'1/2	12
D		2677	PAN HEAD SCREW 4,5 x 50	24
E.3		2223	25 x 30 SOCKET	6
I		4993	FLAT HEAD SCREW 1/4 x 70	4
K.3		2969	BEAM SUPPORT	10
L		254	FLAT HEAD SCREW 4 x 25	12
L.3		5580	HOLE COVER STICKER WHITE	4
Q.1		264	NAIL 13 x 15	70
R		2773	MINIFIX PIN	8
S		2774	MINIFIX CAM	8
Y.2		1689	HALF MOON NUT	4

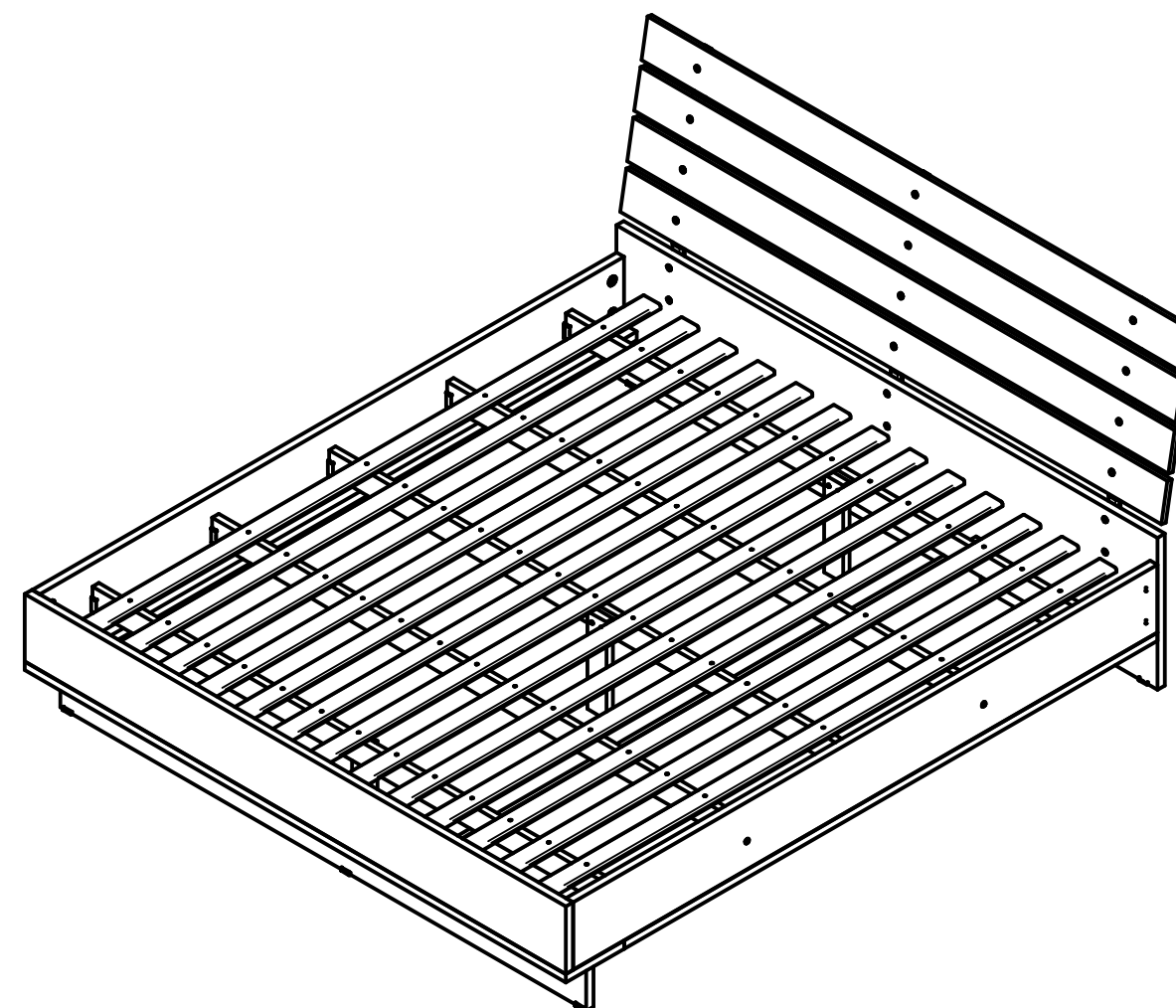
ASSEMBLY TIPS

- A - SEPARATE AND IDENTIFY THE PARTS AS PER THE ASSEMBLY INSTRUCTIONS..
- B - IF THE UNIT IS TO BE ASSEMBLED LYING DOWN, DO SO WITH IT FACING UPWARDS, RESTING ON THE CARDBOARD. TURN THE UNIT AROUND TO INSTALL THE BACK BOARD.
- C - REMEMBER, IF THE BACK BOARD IS NOT INSTALLED CORRECTLY, THE UNIT WILL NOT ALIGN PROPERLY.
- D - FOR A BETTER FINISH, DON'T FORGET TO PUT THE LIDS ON THE SCREWS.

ATTENTION: FOLLOW THESE ASSEMBLY INSTRUCTIONS CAREFULLY

BED MOONLIGHT 180 CM - VS6197D - WHITE/NIAGARA

Dimensions: Height: 1000 - Width: 1852 - Depth: 2065

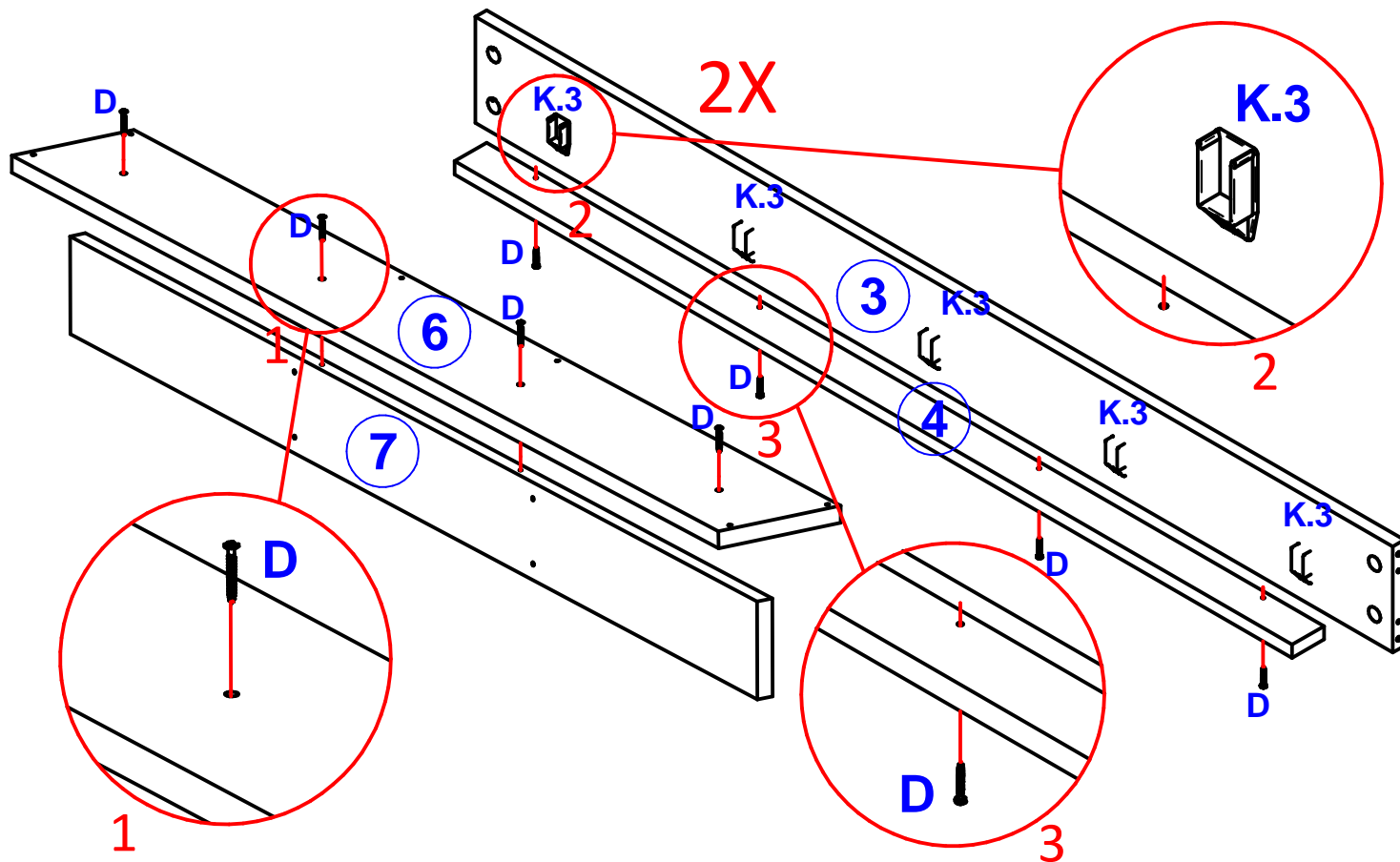


REF	CÓD	DESCRIPTION	QTY	DIMENSIONS
1	38901	HEABOARD BOTTOM PANEL NIAGARA	1	1852x450x25
2	38902	HEADBOARD SMALL PANEL NIAGARA	4	1852x120x15
3	38903	BED BEAM WHITE	2	2000x200x25
4	38945	SIDE FRAME NIAGARA	2	1825x70x25
5	38905	FRONT FOOTBOARD WHITE	1	1852x200x25
6	39067	FRONTFOOT FRAME NIAGARA	1	1852x200x25
7	38906	FRONT LOWER FOOT NIAGARA	1	1800x144x25
8	38904	BOTTOM BED REINFORCEMENT NIAGARA	2	1904x144x15
9	10950	CROSS SUPPORT	5	1795x70x22
10	10948	BEAM	13	1950x60x10
11	39691	FIFTH FOOT NO COLOR	3	290x65x22

ATTENTION: FOLLOW THESE ASSEMBLY INSTRUCTIONS CAREFULLY

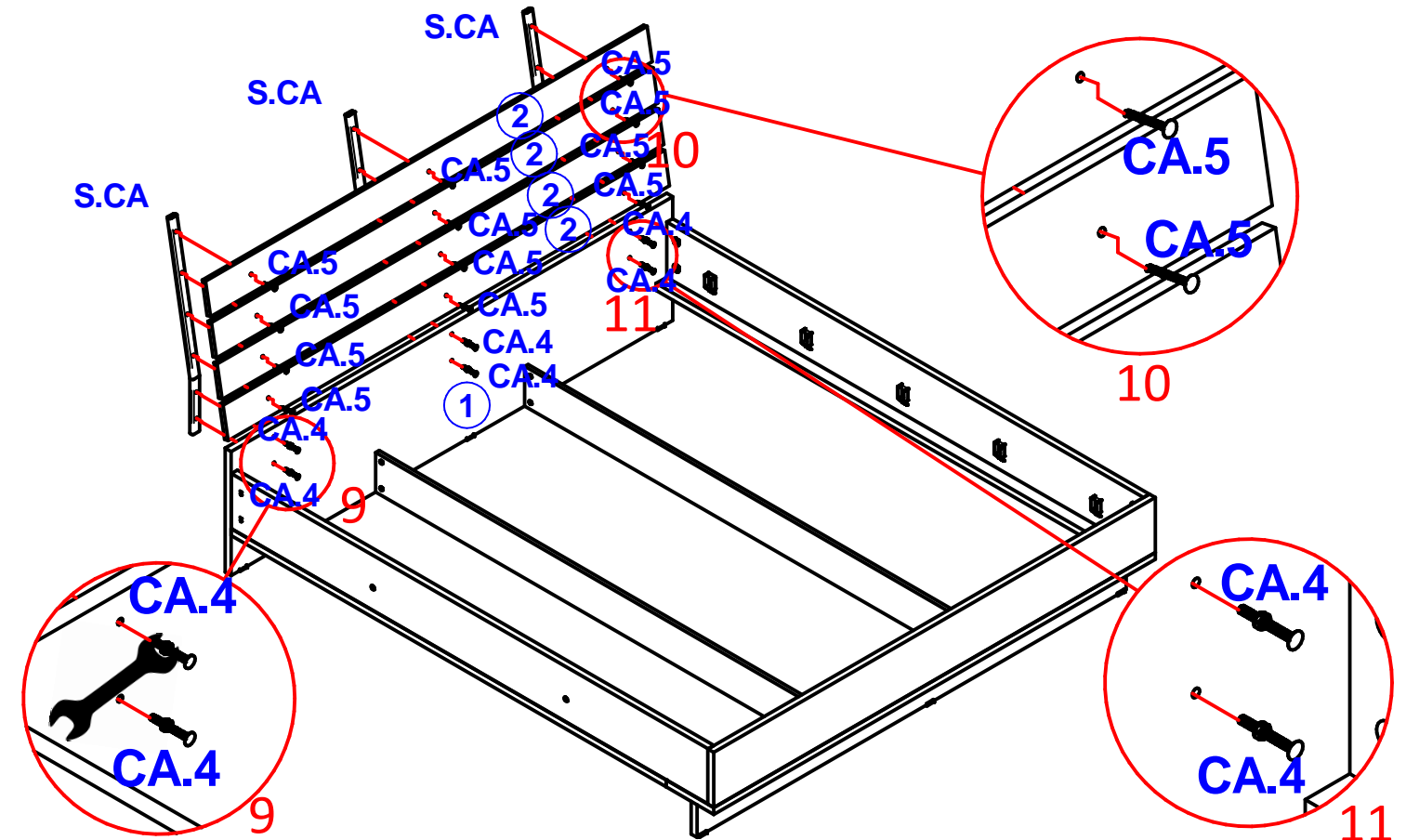
**STAGE 1
UNION THE PARTS**

HARDWARE: SEPARATE AND IDENTIFY THE PARTS, THEN INSERT THE HARDWARE IN THE PARTS. ATTACH THE HARDWARE (K.3) TO PART 3 AND ATTACH PART 4 TO PART 3 WITH SCREWS (D). ATTACH PARTS 6 AND 7 USING SCREWS (D).



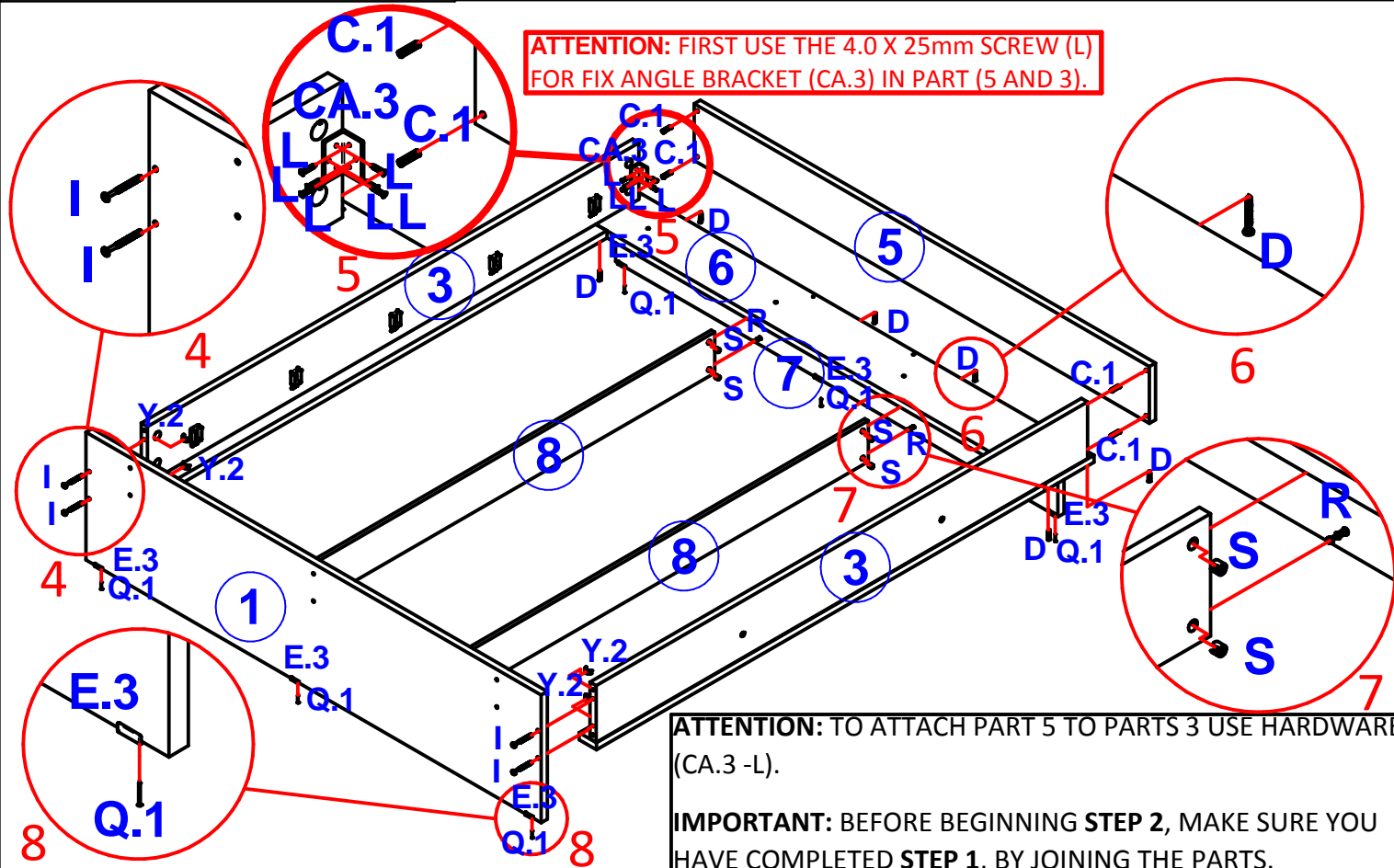
**STAGE 3
HEADBOARD**

SUPPORTS: FIRTS ATTACH THE SUPPORTS (S.CA) TO PART 1 WITH SCREWS (CA.4), NEXT ATTACH PARTS (2) TO THE SUPPORTS (S.CA) WITH SCREWS (CA.5).
IMPORTANT: YOU WILL NEED A WRENCH FOR SCREWS CA.4 – CA.5.



**STAGE 2
ASSEMBLY**

JOIN THE BARS (3) TO THE HEADBOARD (1) USE HARDWARE (Y.2 E I). ATTACH PART 8 TO PARTS 7 AND 1 USING THE HARDWARE (R - S), NEXT ATTACH PART 6 TO PARTS 3 USING SCREW D. FIT PART 5 TO PARTS 3 USING PEGS (C.1).



ATTENTION: TO ATTACH PART 5 TO PARTS 3 USE HARDWARE (CA.3 -L).

IMPORTANT: BEFORE BEGINNING STEP 2, MAKE SURE YOU HAVE COMPLETED STEP 1. BY JOINING THE PARTS.

**STAGE 4
BEAM AND FIFTH FOOT**

BED FRAME: FIT PARTS 9 TOGETHER AND ATTACH TWO OF THEM TO THE HARDWARE (D – L.3), NEXT ATTACH PARTS 11 TO PARTS 9 WITH SCREWS (D). FINALLY, NAIL (Q.1) PARTS 10 TO PARTS 9.

