

## FITTINGS

Cód	Image	Code	Description	Qty
C.1		266	PEG 8 x 30	4
CA.3		4007	ANGLE BRACKET 30 x 40	2
CA.4		39705	FRENCH HEAD SCREW 1/4 x 1'1/3	4
CA.5		39706	FRENCH HEAD SCREW 1/4 x 1'1/2	8
D		2677	PAN HEAD SCREW 4,5 x 50	28
E.3		2223	25 x 30 SOCKET	4
I		4993	FLAT HEAD SCREW 1/4 x 70	4
K.3		2969	BEAM SUPPORT	10
L		254	FLAT HEAD SCREW 4 x 25	12
L.3		5580	HOLE COVER STICKER WHITE	4
Q.1		264	NAIL 13 x 15	49
R		2773	MINIFIX PIN	4
S		2774	MINIFIX CAM	4
Y.2		1689	HALF MOON NUT	4

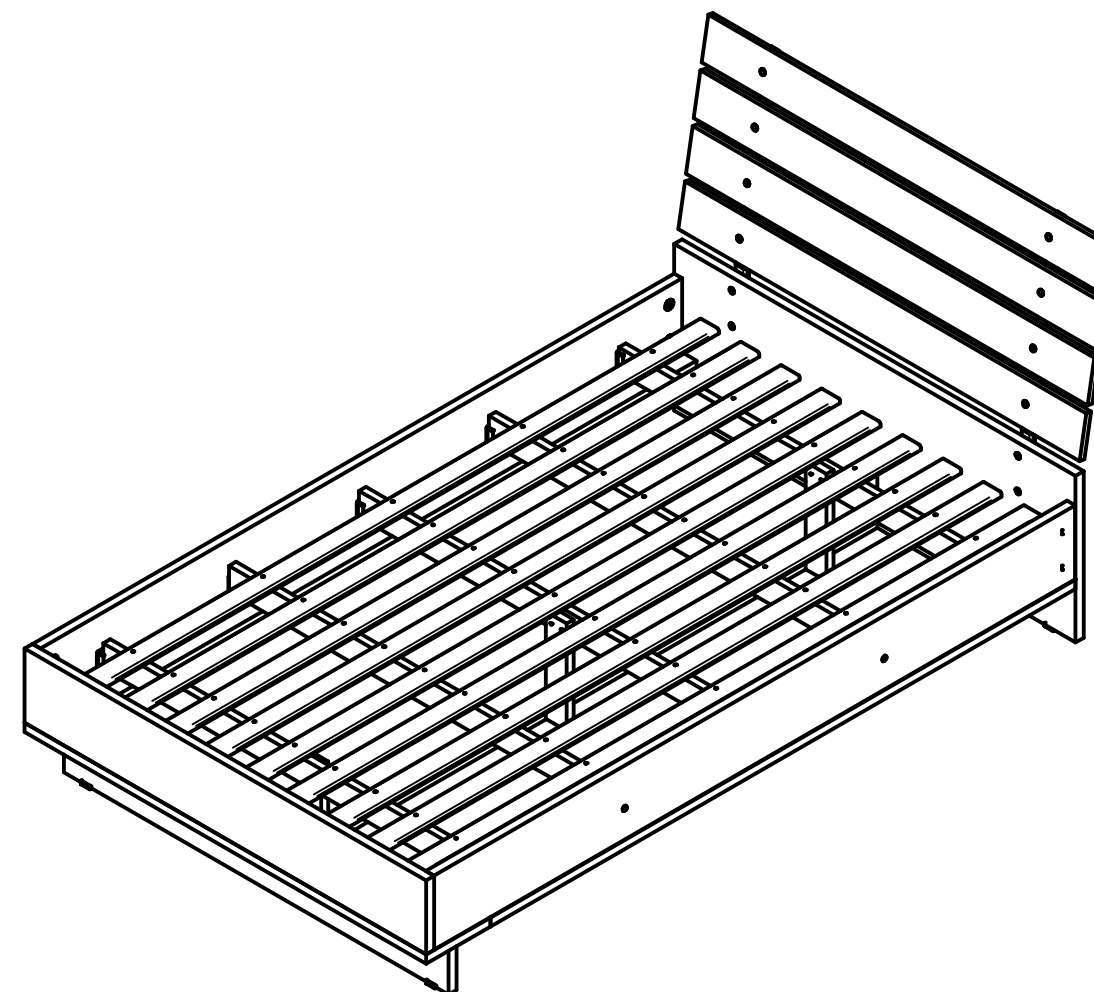
## ASSEMBLY TIPS

- A - SEPARATE AND IDENTIFY THE PARTS AS PER THE ASSEMBLY INSTRUCTIONS..
- B - IF THE UNIT IS TO BE ASSEMBLED LYING DOWN, DO SO WITH IT FACING UPWARDS, RESTING ON THE CARDBOARD. TURN THE UNIT AROUND TO INSTALL THE BACK BOARD.
- C - REMEMBER, IF THE BACK BOARD IS NOT INSTALLED CORRECTLY, THE UNIT WILL NOT ALIGN PROPERLY.
- D - FOR A BETTER FINISH, DON'T FORGET TO PUT THE LIDS ON THE SCREWS.

ATTENTION: FOLLOW THESE ASSEMBLY INSTRUCTIONS CAREFULLY

## SINGLE BED MOONLIGHT - VS6107D - WHITE/NIAGARA

Dimensions: Height: 1000 - Width: 1252 - Depth: 2065

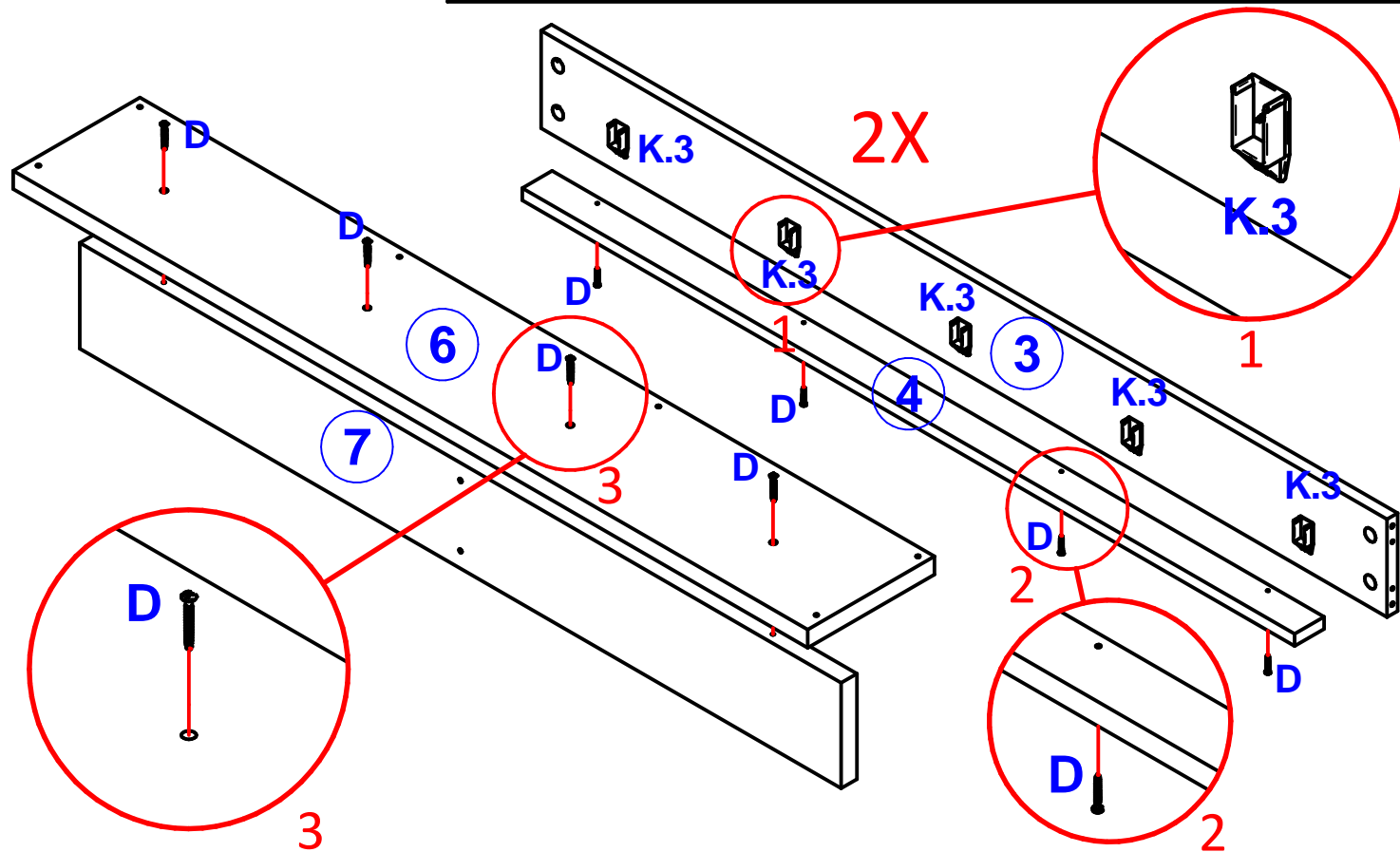


REF	CÓD	DESCRIPTION	QTY	DIMENSIONS
1	39085	SINGLE HEADBOARD PANEL NIAGARA	1	1252x450x25
2	39082	SMALL PANEL FRAME NIAGARA	4	1252x120x15
3	38903	BED BEAM WHITE	2	2000x200x25
4	38945	SIDE FRAME NIAGARA	2	1825x70x25
5	39086	SINGLE FRONTFOOT WHITE	1	1252x200x25
6	39087	SINGLE FRONTFOOT FRAME NIAGARA	1	1252x200x25
7	39088	SINGLE FRONTFOOT NIAGARA	1	1200x144x25
8	38904	BOTTOM BED REINFORCEMENT NIAGARA	1	1904x144x15
9	10949	CROSS SUPPORT	5	70x1195x22
10	10948	BEAM	9	1950x60x10
11	39691	FIFTH FOOT NO COLOR	3	290x65x22

ATTENTION: FOLLOW THESE ASSEMBLY INSTRUCTIONS CAREFULLY

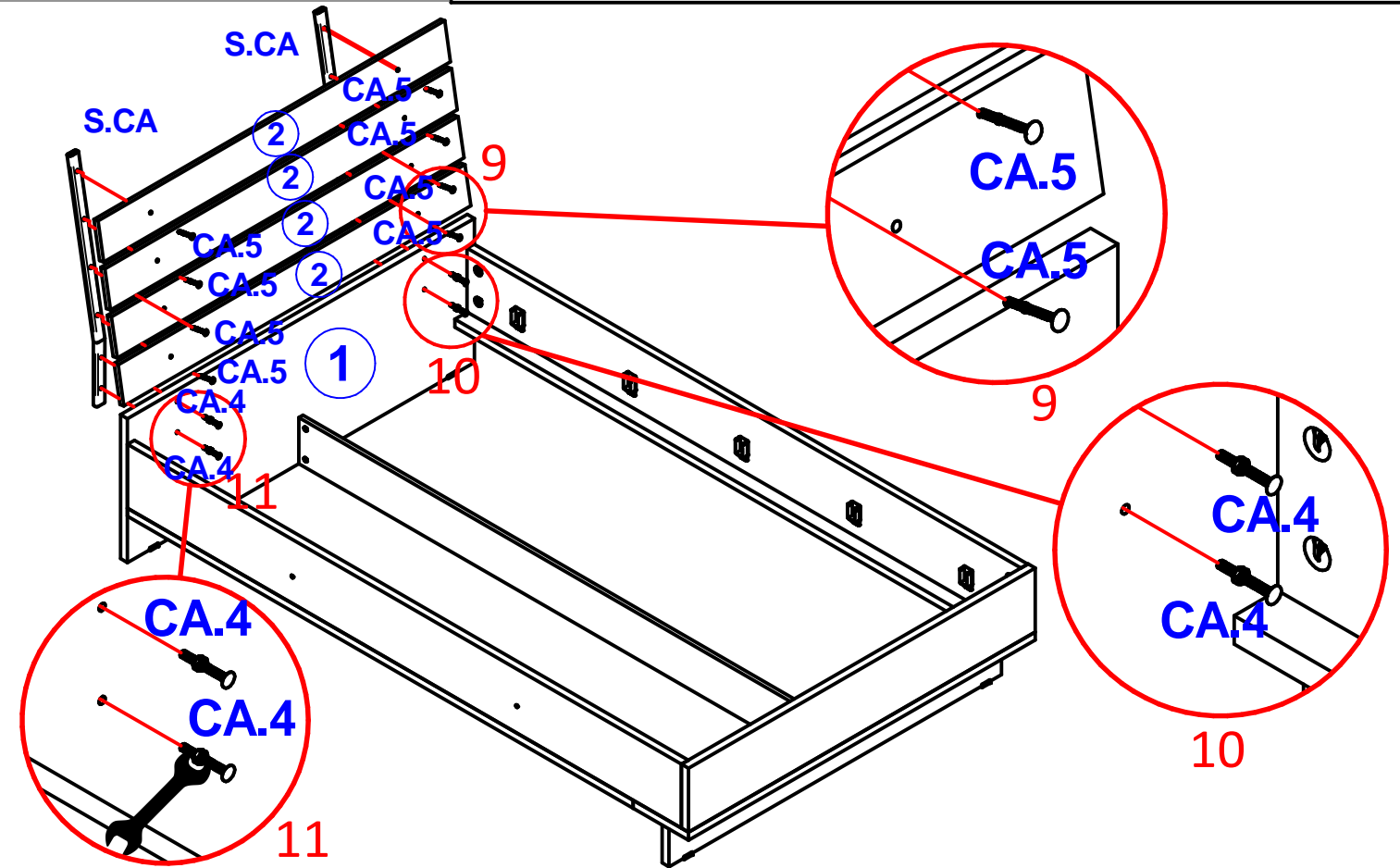
**STAGE 1  
UNION THE PARTS**

**HARDWARE:** SEPARATE AND IDENTIFY THE PARTS, THEN INSERT THE HARDWARE IN THE PARTS. ATTACH THE HARDWARE (K.3) TO PART 3 AND ATTACH PART 4 TO PART 3 WITH SCREWS (D). ATTACH PARTS 6 AND 7 USING SCREWS (D).



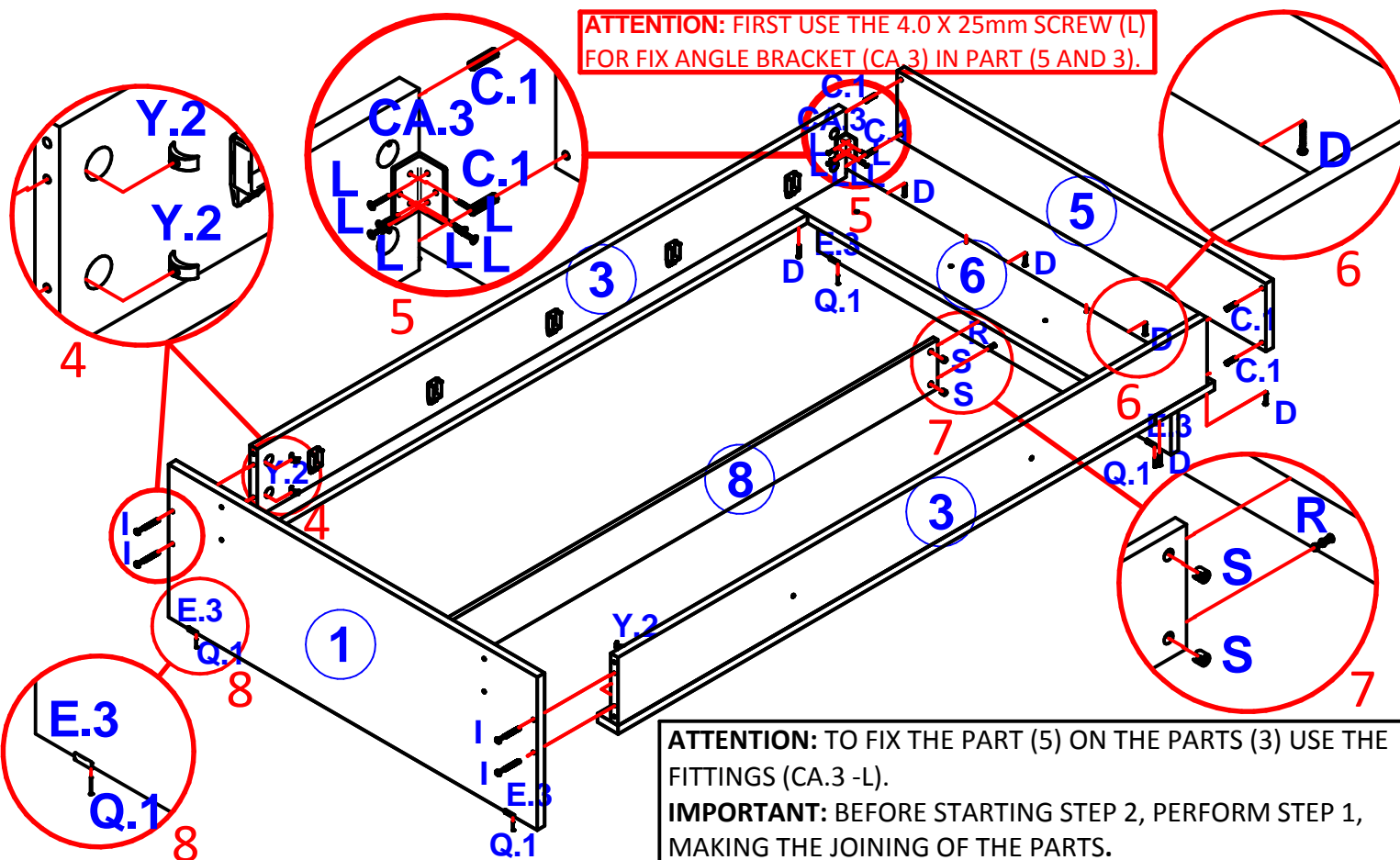
**STAGE 3  
HEADBOARD**

**SUPPORTS:** FIRTS ATTACH THE SUPPORTS (S.CA) TO PART 1 WITH SCREWS (CA.4), NEXT ATTACH PARTS (2) TO THE SUPPORTS (S.CA) WITH SCREWS (CA.5). **IMPORTANT:** YOU WILL NEED A WRENCH FOR SCREWS CA.4 – CA.5.



**STAGE 2  
ASSEMBLY**

JOIN THE BARS (3) TO THE HEADBOARD (1) USE HARDWARE (Y.2 E I). ATTACH PART 8 TO PARTS 7 AND 1 USING THE HARDWARE (R - S), NEXT ATTACH PART 6 TO PARTS 3 USING SCREW D. FIT PART 5 TO PARTS 3 USING PEGS (C.1).



**ATTENTION:** TO FIX THE PART (5) ON THE PARTS (3) USE THE FITTINGS (CA.3 -L). **IMPORTANT:** BEFORE STARTING STEP 2, PERFORM STEP 1, MAKING THE JOINING OF THE PARTS.

**STAGE 4  
BEAM AND FIFTH FOOT**

**BED FRAME:** FIT PARTS 9 TOGETHER AND ATTACH TWO OF THEM TO THE HARDWARE (D - L.3), NEXT ATTACH PARTS 11 TO PARTS 9 WITH SCREWS (D). FINALLY, NAIL (Q.1) PARTS 10 TO PARTS 9.

