

FITTINGS

Cód	Image	Code	Description	Qty
A		6544	FLAT HEAD SCREW 3,5 x 40	8
C		252	FLAT HEAD SCREW 3,5 x 14	20
F.1		372	PEG 6 x 30	24
J		3966	FLAT HEAD SCREW 3,5 x 30	4
P.1		263	NAIL 10X10	46
Q.4		36862	FIXED SHOES 25 X 11	4
R		2773	MINIFIX PIN	16
S		2774	MINIFIX CAM	16
A.5		15438	STYLE CURVE PV309 194MM HANDLE	2
L.3		2775	15MM COVER CAP MINIFIX WHITE	8
L.3		4403	15MM COVER CAP MINIFIX NOCE	8
A.2		17530	PROFILE H 530MM	1
H.4		15727	350MM TELESCOPIC SLIDE	2

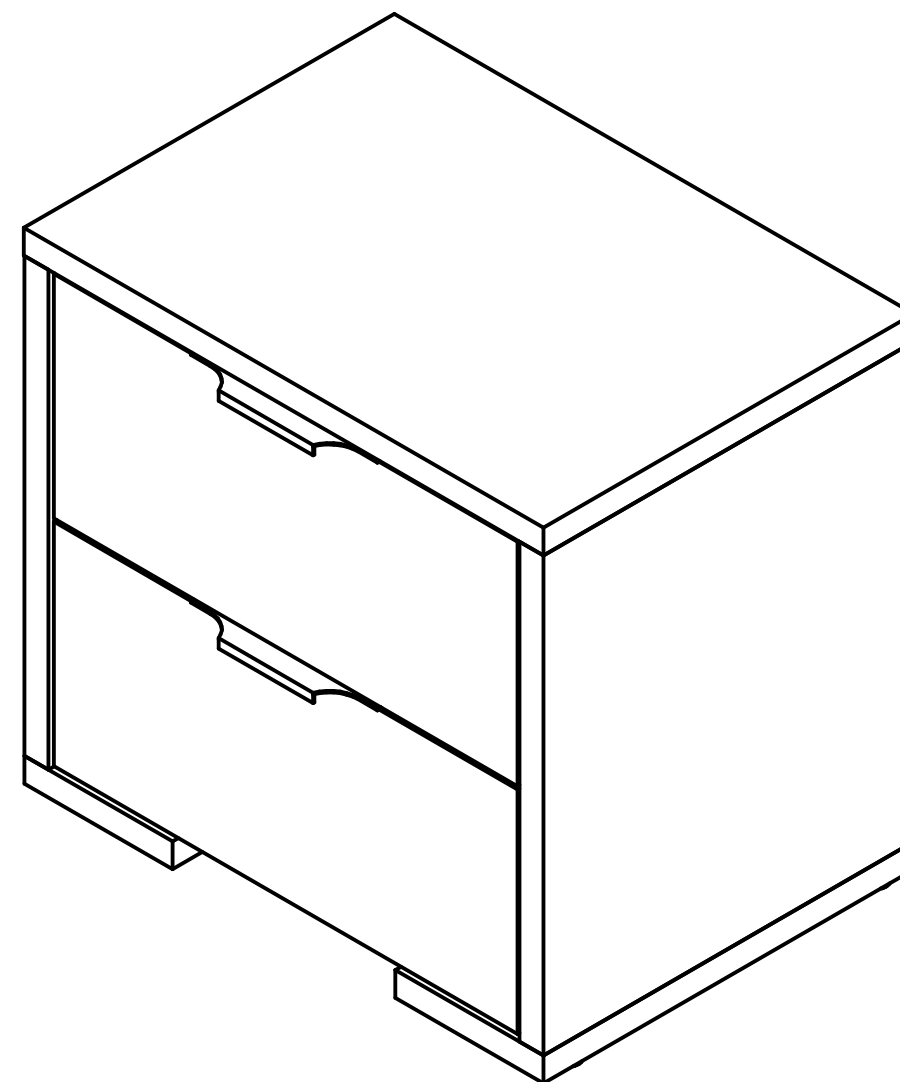
ASSEMBLY TIPS

- A - SEPARATE AND IDENTIFY THE PARTS AS PER THE ASSEMBLY INSTRUCTIONS..
- B - IF THE UNIT IS TO BE ASSEMBLED LYING DOWN, DO SO WITH IT FACING UPWARDS, RESTING ON THE CARDBOARD. TURN THE UNIT AROUND TO INSTALL THE BACK BOARD.
- C - REMEMBER, IF THE BACK BOARD IS NOT INSTALLED CORRECTLY, THE UNIT WILL NOT ALIGN PROPERLY.
- D - FOR A BETTER FINISH, DON'T FORGET TO PUT THE LIDS ON THE SCREWS.

ATTENTION: FOLLOW THESE ASSEMBLY INSTRUCTIONS CAREFULLY

NIGHTSTAND VALETTA 2 DRAWER - VS6029D - WHITE/NOCE

Dimensions: Height: 500 - Width: 540 - Depth: 385

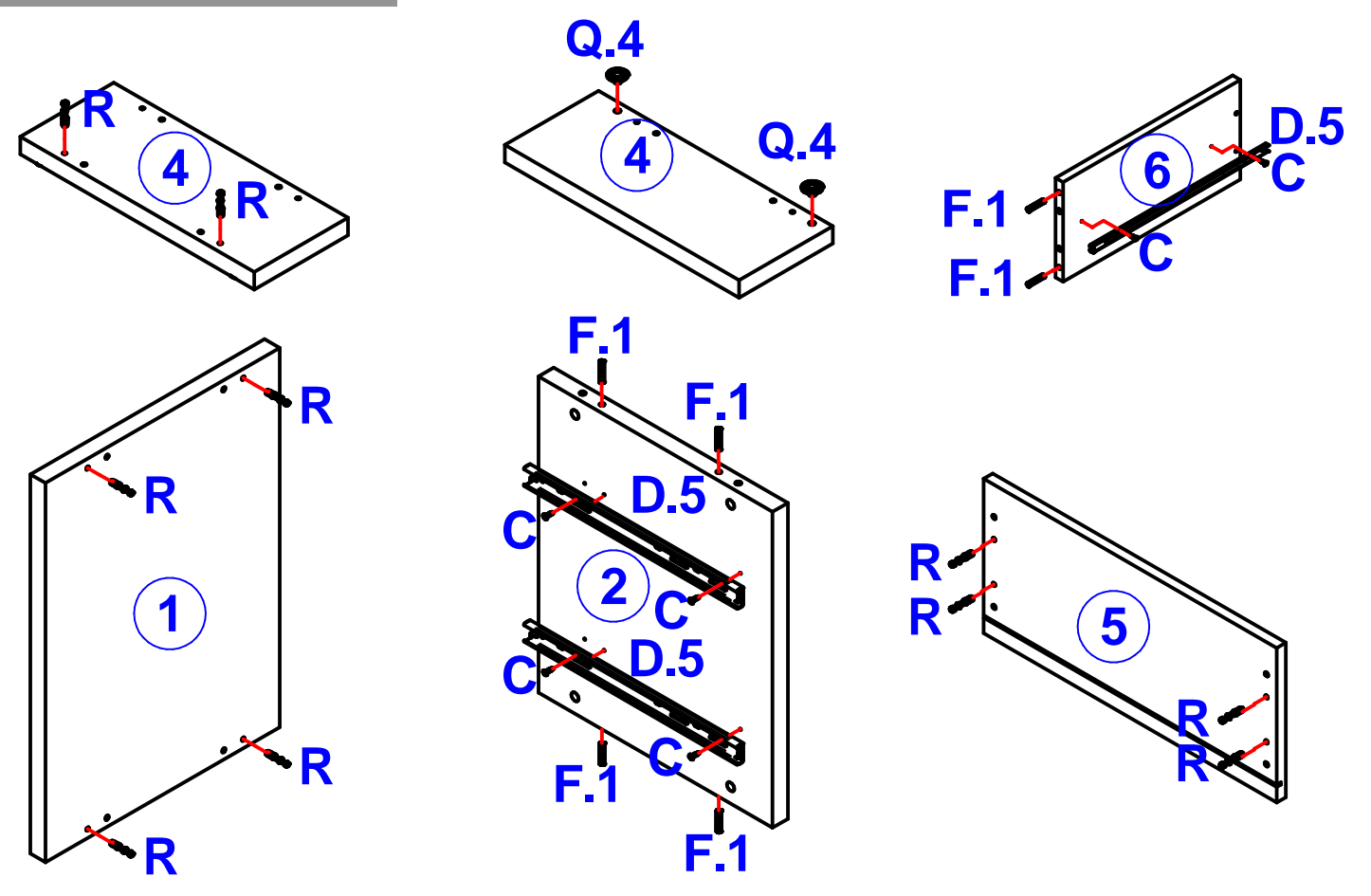


REF	CÓD	DESCRIPTION	QTY	DIMENSIONS
1	38846	TOPHEAD NOCE	1	540x385x25
2	38848	SIDE LEFT E RIGHT NOCE	2	450x385x25
3	39071	REINFORCEMENT NIGHTSTAND NOCE	1	488x70x15
4	38850	BASE NIGHTSTAND NOCE	2	154x385x25
5	38863	DRAWER WHITE	2	482x220x15
6	39069	SIDE DRAWER WHITE	4	350x170x15
7	38864	REAR OF DRAWER WHITE	2	433x170x15
8	38865	BACKGROUND DRAWER WHITE	2	463x355x3
9	38851	BACKGROUND NIGHTSTAND NOCE	2	530x227x3

ATTENTION: FOLLOW THESE ASSEMBLY INSTRUCTIONS CAREFULLY

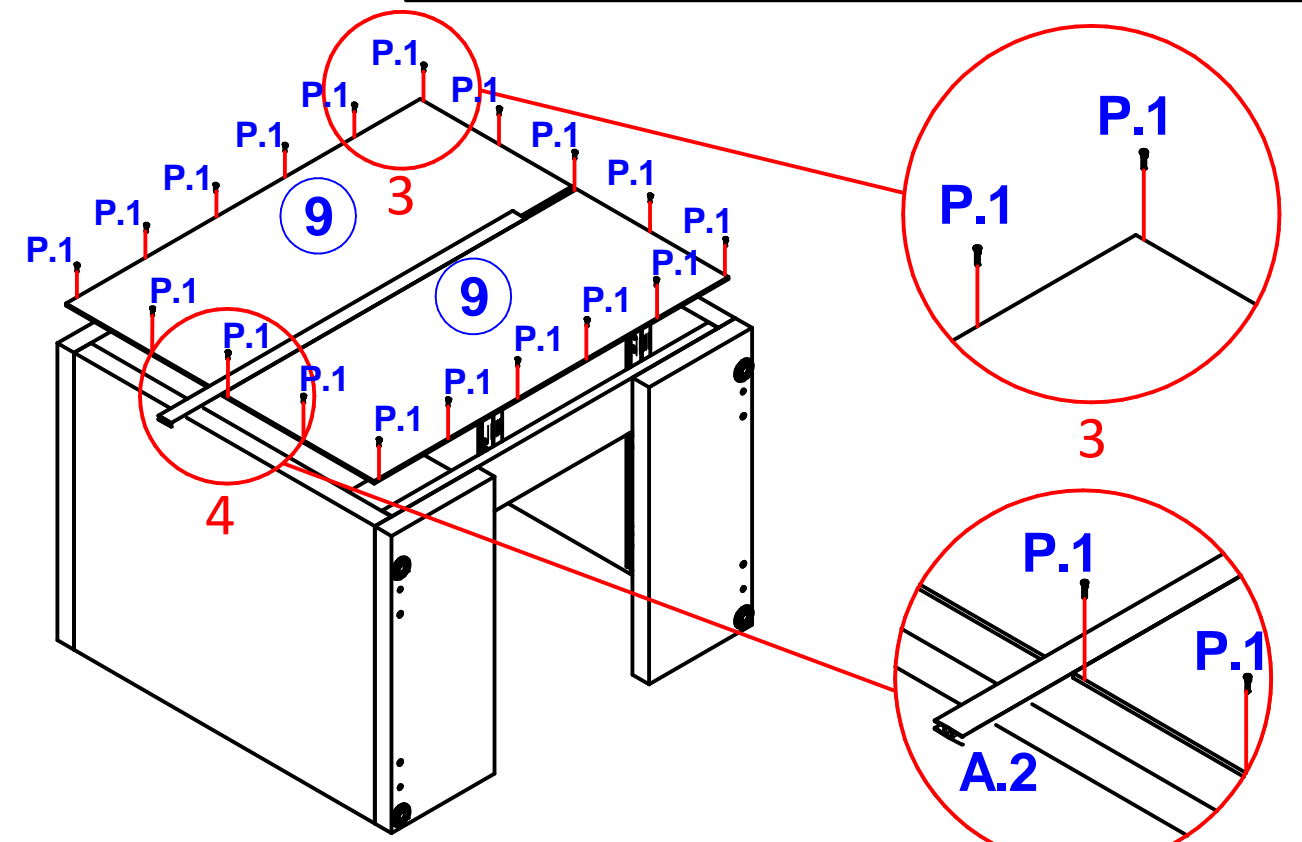
**STAGE 1
FITTINGS OF PARTS**

HARDWARE: BEGIN ASSEMBLY BY SEPARATING AND IDENTIFYING THE PARTS, THEN ATTACH THE HARDWARE TO THE PARTS.



**STAGE 3
BACKGROUND**

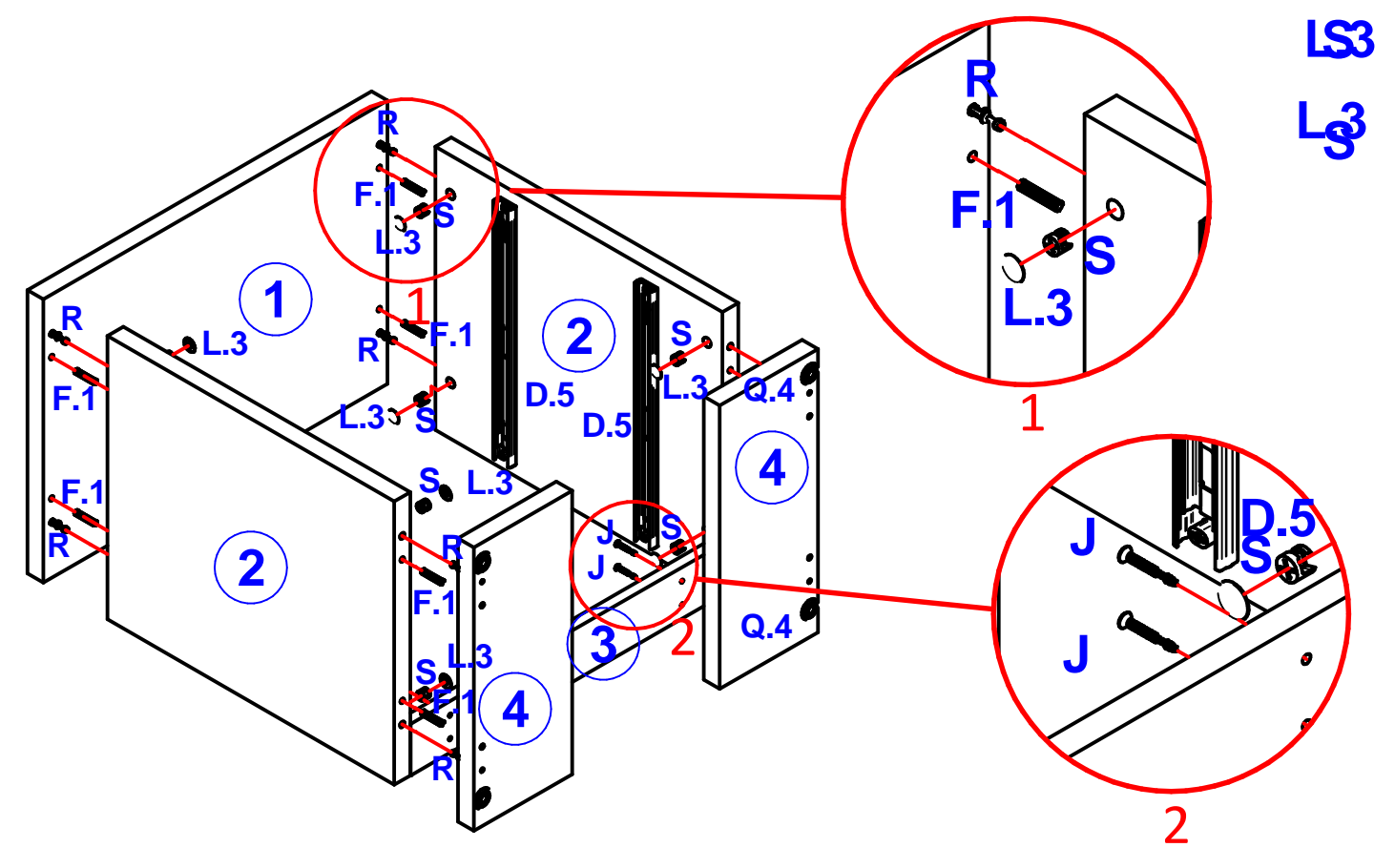
BACK: USE 10x10 NAILS (P.1), AT 10cm INTERVALS, TO NAIL PART 9 AND DO NOT FORGET THE REINFORCEMENT (03). INSERT THE PROFILE (M.2) BETWEEN THE BACKBOARDS.
REMEMBER: MAKE SURE TO ALIGN THE UNIT CORRECTLY.



PROFILE H: ATTENTION: DO NOT FORGET TO ATTACH THE PROFILES (A.2) BETWEEN THE NIGHTSTAND'S BACKBOARDS.

**STAGE 2
ASSEMBLY**

ASSEMBLY PARTS: JOIN THE SIDEBOARDS (2) TO THE PARTS (1 E 4) USING THE HARDWARE (R – S – F.1 – L.3). NEXT, ATTACH PART 3. USE SCREWS (J), ALIGN THE PART (3) WITH THE BACK OF THE UNIT.



**STAGE 4
DRAWER**

ATTACH PARTS 6 TO PART 7 USING THE HARDWARE (F.1 – A). NEXT, ATTACH PART 5 TO PARTS 6, USING THE HARDWARE (S – R – L.3 – F.1). BACK: NAIL THE BACKBOARD (08) WITH 10x10 NAILS (P.1) AT 10 cm INTERVALS. HANDLE: ATTACH THE HANDLE IN THE CENTER OF THE UNIT USING SCREWS (C).

