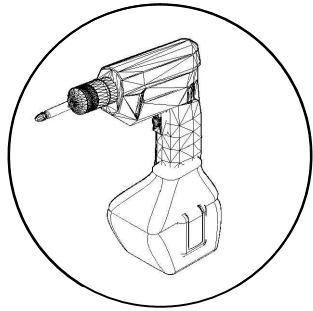
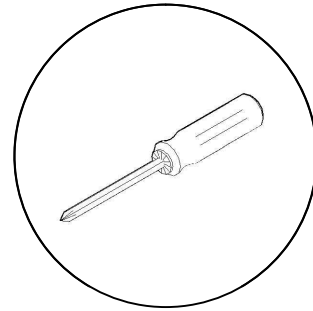


MANUFACTURER'S TIPS

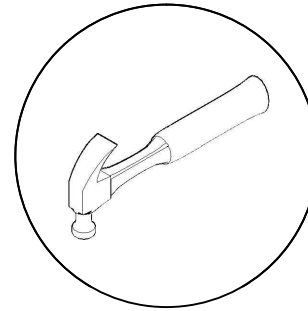
NECESSARY TOOLS:



ELECTRIC SCREWDRIVER

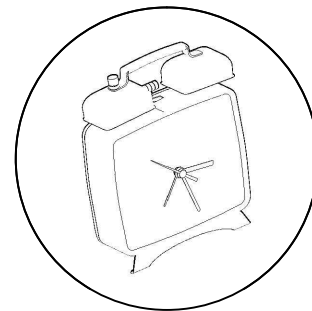


MANUAL SCREWDRIVER



HAMMER

ASSEMBLY TIME:



90 MINUTES

ASSEMBLY TIPS:

- A** - SEPARATE AND IDENTIFY THE PARTS AS PER THE ASSEMBLY INSTRUCTIONS. .
- B** - IF THE UNIT IS TO BE ASSEMBLED LYING DOWN, DO SO WITH IT FACING UPWARDS, RESTING ON THE CARDBOARD. TURN THE UNIT AROUND TO INSTALL THE BACK BOARD.
- C** - REMEMBER, IF THE BACK BOARD IS NOT INSTALLED CORRECTLY, THE UNIT WILL NOT ALIGN PROPERLY.
- D** - FOR A BETTER FINISH, DON'T FORGET TO PUT THE LIDS ON THE SCREWS.

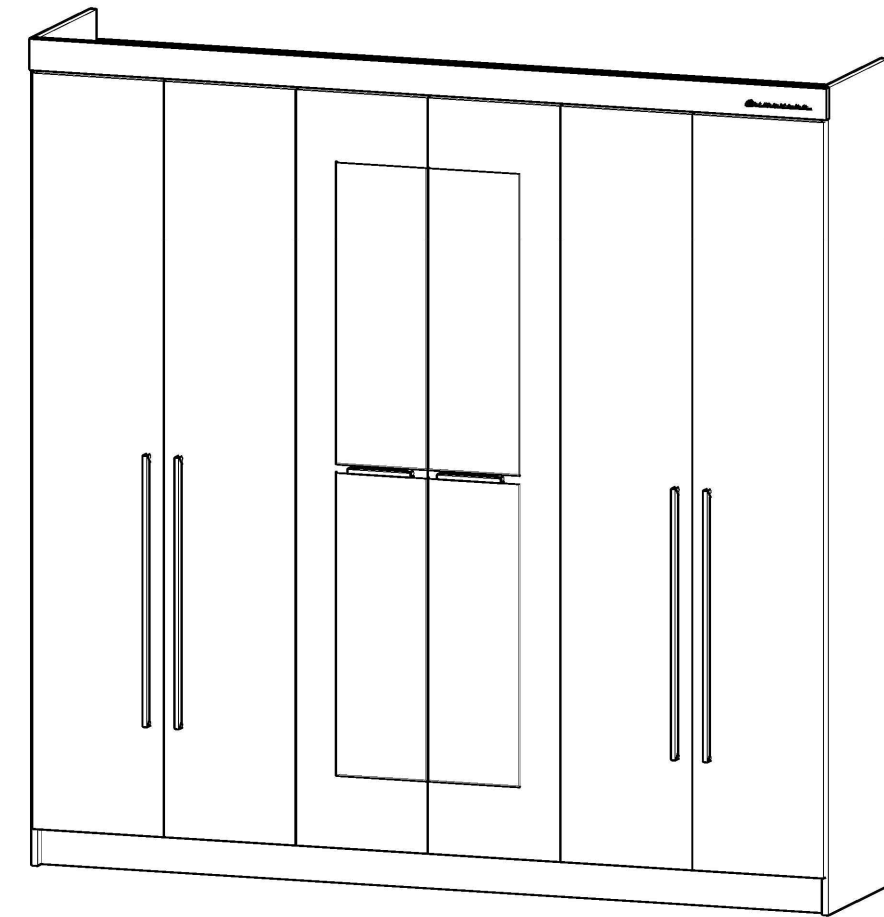
PRODUCT CARE:

- A** - USE A SLIGHTLY DAMPENED CLOTH TO CLEAN THE UNIT.
- B** - AVOID LEAVING THE UNIT IN THE SUN, AS THIS WILL WEAR OUT THE PAINTWORK.
- C** - DON'T LET THE UNIT COME INTO CONTACT WITH WATER.

ATTENTION: FOLLOW THESE ASSEMBLY INSTRUCTIONS CAREFULLY

CLOSET SLIM 6PT - SM9611EA - ONIX/TERRACOTA

DIMENSIONS: HEIGHT: 2.20 - WIDTH: 2.20 - DEPTH: 0.47



Part	Code	Description	Qty.	Parts dimensions:
01	18259	Left sideboard onix	01	2190X450X15 mm
02	18262	Right sideboard onix	01	2190X450X15 mm
03	17497	Parting onix	02	1470X450X15 mm
04	17498	Shelf onix	02	713X450X15 mm
05	17505	Upper/lower support onix	02	2170X450X15 mm
06	17506	Central support onix	01	2170X450X15 mm
07	18264	Front baseboard onix	01	2170X97X15 mm
08	10244	Rear baseboard	01	2170X97X15 mm
09	18264	Front topboard onix	02	2200X80X15 mm
10	18261	Internal pillar onix	02	503X97X15 mm
11	17501	Internal draw onix	02	650X170X15 mm
12	17502	Draw side onix	04	365X145X15 mm
13	17503	Draw back onix	02	598X100X15 mm
14	11026	Draw bottom stylized white	02	627X370X03 mm
15	18256	Backboard stylized white	03	2015X730X03 mm
16	38628	Large door terracota	04	2005X360X15 mm
17	13503	Mirror kit with 4 pieces	01	800X250X03 mm
18	38627	Large door mirror onix	02	2005X360X15 mm
19	18260	Set of fittings		

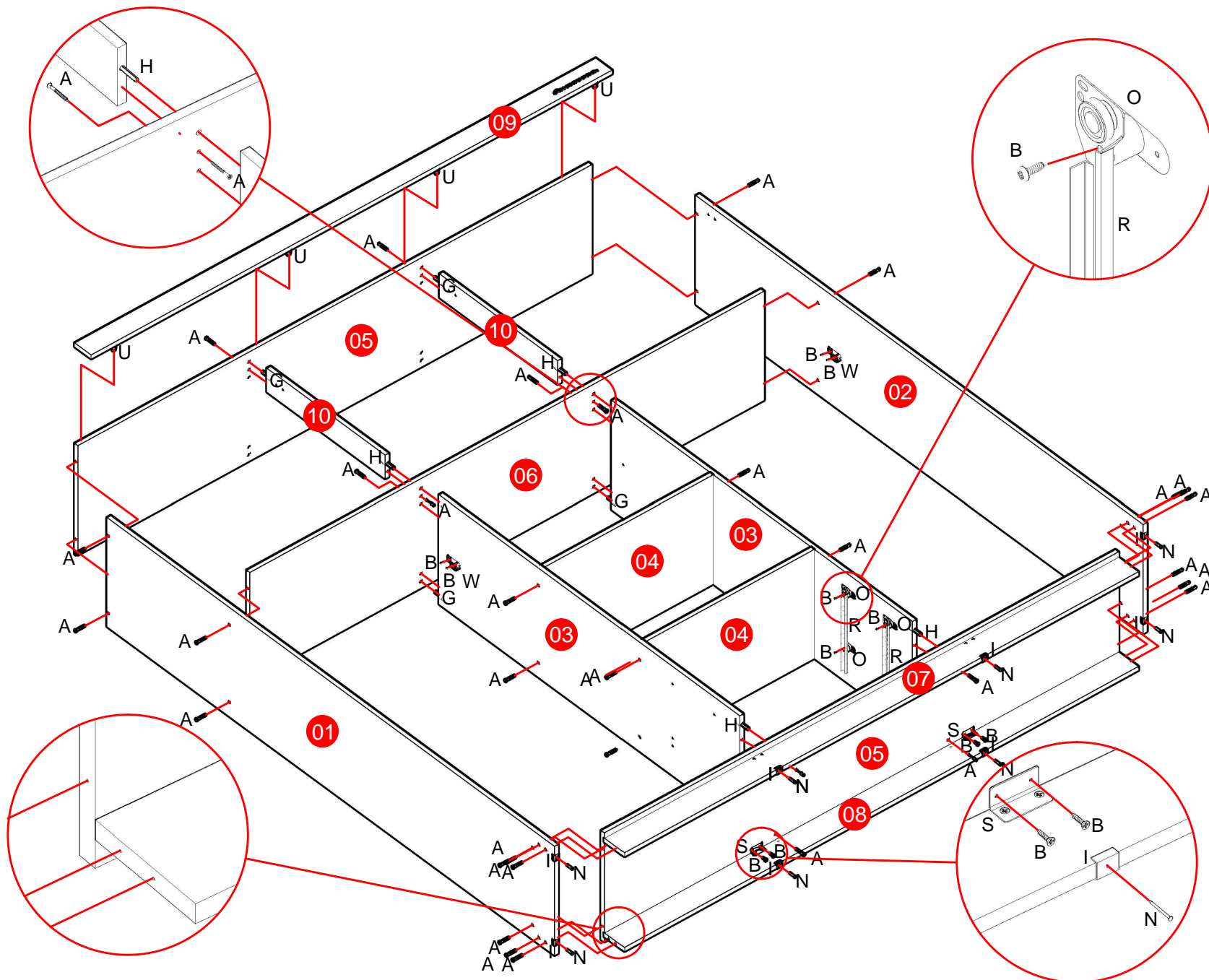
ATTENTION: FOLLOW THESE ASSEMBLY INSTRUCTIONS CAREFULLY

Fittings:

A 3.5 X 40 FLAT HEAD SCREW 40	B 3.5 X 14 FLAT HEAD SCREW 133	C 3.5 X 30 FLAT HEAD SCREW 12	D 580mm I PROFILE 02	E 26mm HINGE 18	F 6 x 30 PEG 04
G 8 x 30 PEG 04	H 8 x 40 PEG 06	I 15 x 20 SOCKET 08	J SEVILLA 160mm HANDLE 02	K 705mm CLOTHES RAIL 02	L MINI-FIX PIN 08
M MINI-FIX CAM 08	N 13 x 15 NAIL 16	O 30mm DISTANCER 08	P 10 X 10 NAIL 130	Q ATTACHMENT 30	R 350mm METALIC SLIDE 02
S 4 HOLE ANGLE BRACKET 04	T COVER CAP 13MM ONIX 32	U TOPBOARD SUPPORT 04	W OBLONG CLOTHES RAIL SUPPORT 04	V SEVILLA 608mm HANDLE 04	

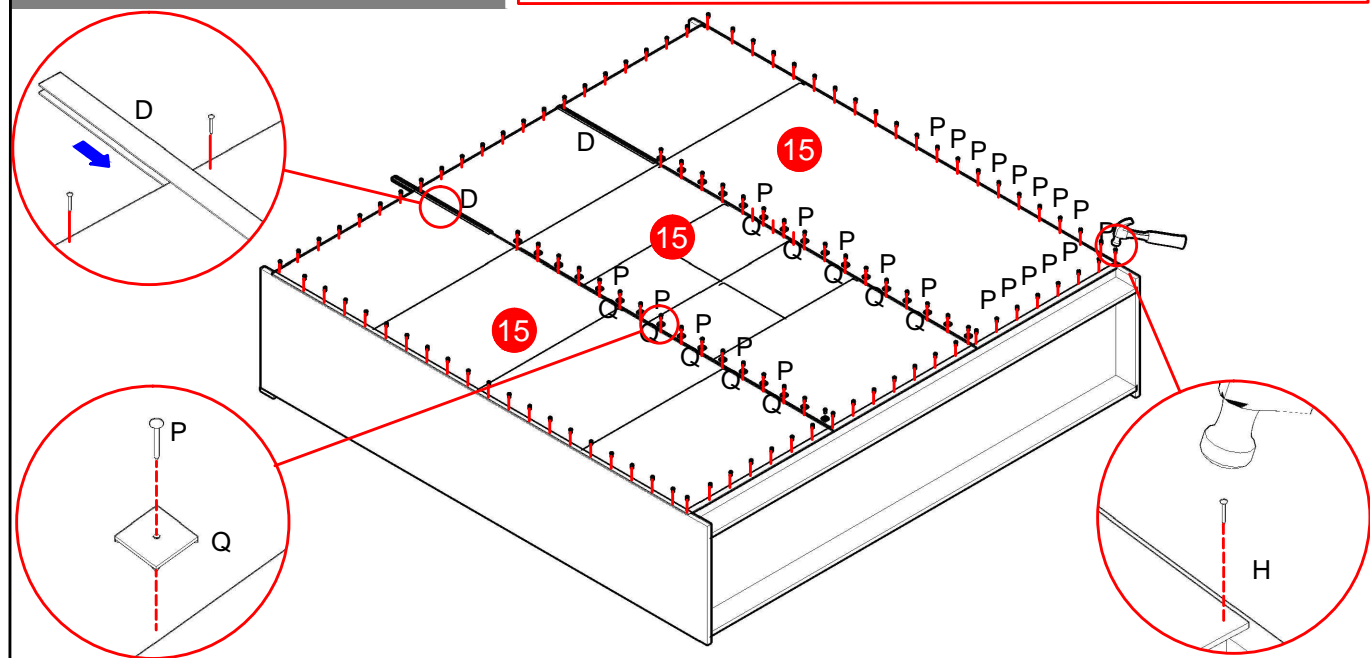
STAGE 1 ASSEMBLY

INTERNAL PILLARS: ATTATCH THEM TO THE CENTRAL SUPPORT (06) WITH THE PEGS (H), USING A SCREWDRIVER. NEXT, ATTATCH THE CENTRAL SUPPORT (06) TO THE PARTINGS (03) AND SCREW IN FROM BEHIND THE PILLARS, WITH THE 3.5 X 40 SCREWS (A).

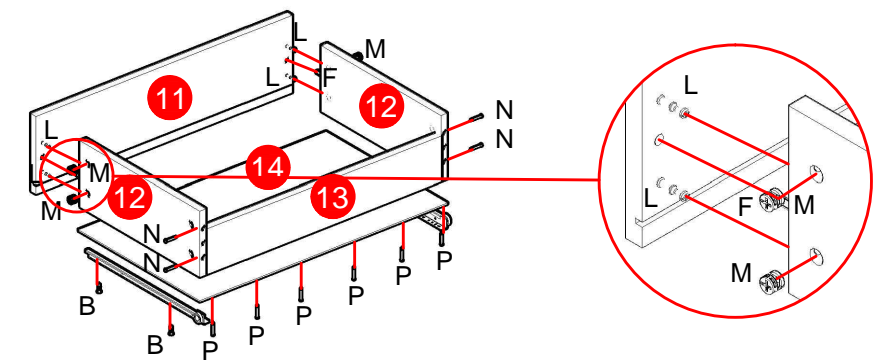


STAGE 2 NAILING IN THE BACKBOARD

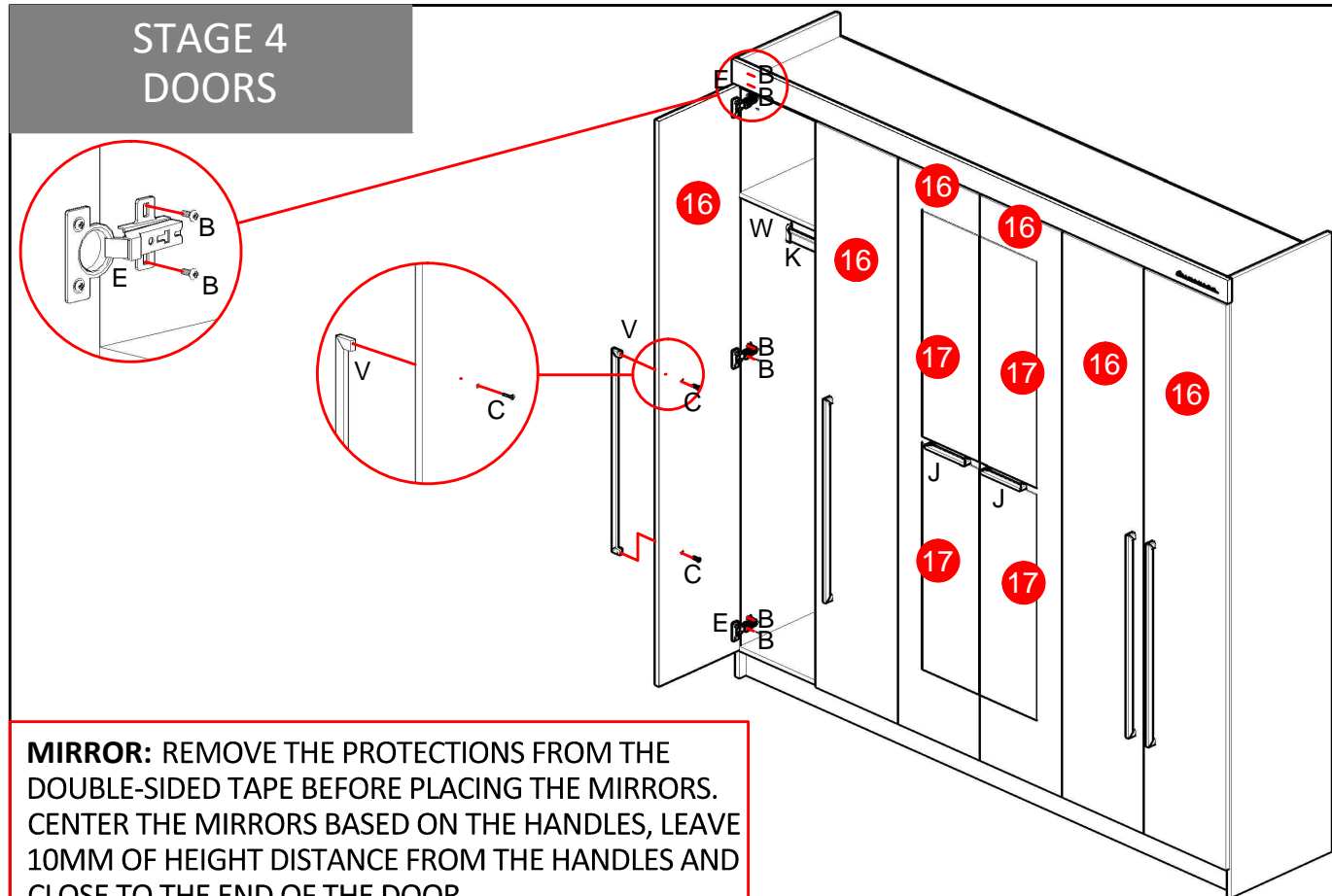
REMEMBER, IF THE BACK BOARD IS NOT INSTALLED CORRECTLY, THE UNIT WILL NOT ALIGN PROPERLY. IMPORTANT: PLACE THE 10 X10 NAILS (P) AT A DISTANCE OF ONE EVERY 10 CM.



STAGE 3 DRAWERS



STAGE 4 DOORS



MIRROR: REMOVE THE PROTECTIONS FROM THE DOUBLE-SIDED TAPE BEFORE PLACING THE MIRRORS. CENTER THE MIRRORS BASED ON THE HANDLES, LEAVE 10MM OF HEIGHT DISTANCE FROM THE HANDLES AND CLOSE TO THE END OF THE DOOR.